

Technical data sheet

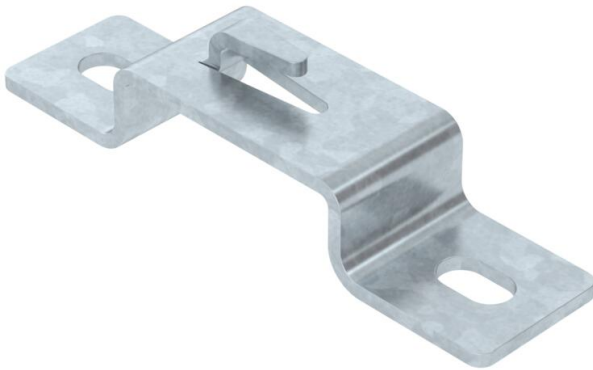
Stand-off bracket FT

Item number: 6015648



Stand-off bracket for stand-off of mesh cable trays on the floor or on the wall.

GRM mesh cable tray types with side heights of 35, 55 and 105 mm can be mounted onto the spacer clamp. Screwless fastening of the mesh cable tray on the stand-off bracket.



St Steel

FT Hot-dip galvanised

Master data

Item number	6015648
Description 1	Stand-off bracket
Description 2	for mesh cable tray
Manufacturer	OBO
Dimension	B50mm
Colour	zinc
Material	Steel
Surface	Hot-dip galvanised
Surface standard	DIN EN ISO 1461
Smallest sales unit	20
Unit of quantity	Piece
Weight	10.7 kg
Weight unit	kg/100 pc.

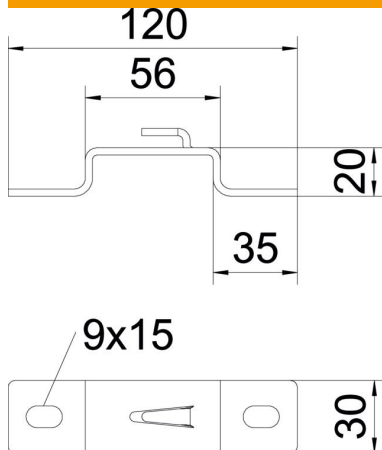
Technical data sheet

Stand-off bracket FT

Item number: 6015648



Dimensions



Height	20 mm
Height	0.79 in
Dimension A	30 mm
Dimension B	56 mm
Dimension L	120 mm

Technical data

Version for	Wall/ceiling clamp, trapezoidal profile
Suitable for mesh cable tray	yes
Suitable for cable ladder	no
Suitable for cable tray	no
Tray fastening	Retaining lug