

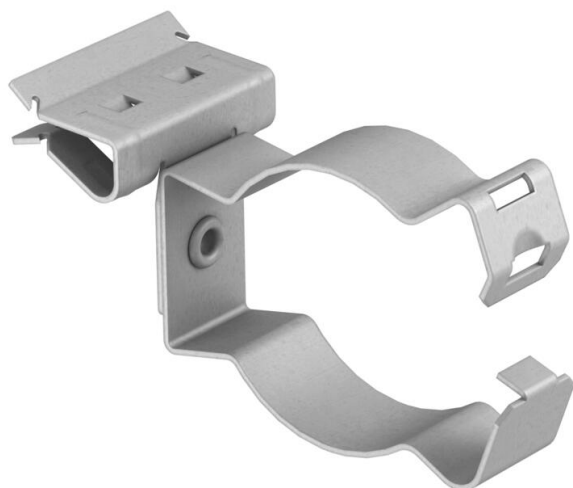
Technical data sheet

Support clamp, for pipes, closed/side

Item number: 1483681



Beam clamp for knocking in with closed pipe seat as individual fastening solution on the beam.



CE

| | |
|----|-----------|
| St | Steel |
| ZL | Zinc slat |

Master data

| | |
|---------------------|-------------------------|
| Item number | 1483681 |
| Description 1 | Beam clamp |
| Description 2 | with pipe clamp 18-24mm |
| Manufacturer | OBO |
| Dimension | 2-4mm |
| Material | Steel |
| Surface | Zinc slat |
| Surface standard | |
| Smallest sales unit | 50 |
| Unit of quantity | Piece |
| Weight | 2.9 kg |
| Weight unit | kg/100 pc. |

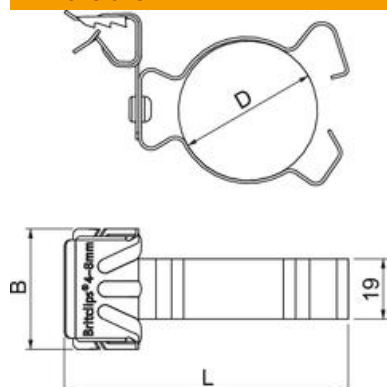
Technical data sheet

Support clamp, for pipes, closed/side

Item number: 1483681



Dimensions



Technical data

| | |
|---------------------------|------------|
| Connection type/component | Pipe/cable |
| Fastening type | Clamp |
| Flange thickness F max. | 4 mm |
| Flange thickness F min. | 2 mm |
| Pipe/cable diameter, max. | 24 mm |
| Pipe/cable diameter, min. | 18 mm |
| Hinge, adjustable | no |
| Hinged | no |