

# Technical data sheet

## Wall and support bracket AW 55 A4

Item number: 6418573



Heavy-duty wall and support bracket with welded head plate.  
Fastening of the bracket to the U support of width 400 mm or greater using a hexagonal bolt through both sides of the support. Please insert suitable spacers.



**A4** Stainless steel

**2B** Bright, treated

### Master data

Item number	6418573
Type	AW 55 31 A4
Description 1	Wall and support bracket
Description 2	with welded head plate
Manufacturer	OBO
Dimension	B310mm
Material	Stainless steel
Surface	Bright, treated
Surface standard	
Smallest sales unit	1
Unit of quantity	Piece
Weight	118.9 kg
Weight unit	kg/100 pc.

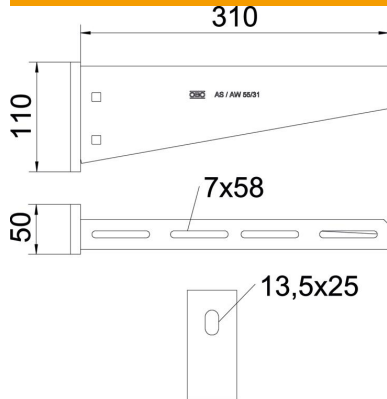
# Technical data sheet

## Wall and support bracket AW 55 A4

Item number: 6418573



### Dimensions

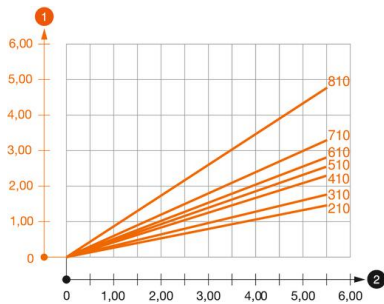


Length	50 mm
Width	310 mm
Height	110 mm
Dimension A	50 mm
Dimension B	310 mm
Dimension H	110 mm

### Technical data

Version for	Wall and support bracket
F in kN	5.5 kN
Maintain electrical functions	no
Hole diameter	13.5 mm
Rustproof steel, pickled	yes
Angle range, max.	90 mm
Angle range, min.	90 mm

### Loads



#### Load diagram, bracket, type AW 55

- 1 Bending of the bracket tip at permitted bracket load
- 2 Permitted bracket load in kN without man load
- Load curve with bracket lengths in mm

### Characteristic anchor load values for wall and support bracket AW 55

Anchor type	Max. load [kN]									
	Bracket width [mm]									
BZ3 12x110/0-35	210	310	410	510	560	610	710	810	910	1010
	3.92	3.83	3.79	3.46	3.30	3.30	3.15	2.53	2.38	2.23

Die angegebenen Werte basieren auf ungerissenen Beton der Festigkeitsklasse C20/25. Die Einbaubedingungen der ETA-Zulassung (Dübel) sind zu beachten!