

# Technical data sheet

## Connection component for bracket, type AW 30

Item number: 7207062



Connection component to accept a threaded rod. Mounting on the tip of the bracket, type AW30. Prevents sagging of the cable support system when subjected to fire load. Including 2 M8 x 16 truss-head bolts and combination nuts.



St

Steel

FT

Hot-dip galvanised

### Master data

Item number	7207062
Description 1	Connection component for AW30
Description 2	as threaded rod adapter
Manufacturer	OBO
Dimension	103x33x30
Colour	zinc
Material	Steel
Surface	Hot-dip galvanised
Surface standard	DIN EN ISO 1461
Smallest sales unit	1
Unit of quantity	Piece
Weight	8.2 kg
Weight unit	kg/100 pc.

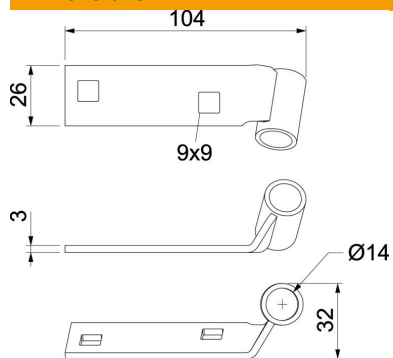
# Technical data sheet

Connection component for bracket, type AW 30

Item number: 7207062



## Dimensions



## Technical data

Maintain electrical functions	no
Rustproof steel, pickled	no