

# Technical data sheet

## Earthing clamp, type 952

Item number: 5052157



- For pipes 1/2-2" or Ø 11.5-60 mm
- Connection options: conductors 16-70 mm<sup>2</sup> and/or round conductors to Rd 10 with captive pressure strip from stainless steel
- With 2 hexagonal bolts M6 x 16 and 2 hexagonal bolts M6 x 20 from hot-dip galvanised steel
- Top section of clamp with cast contact point from die-cast zinc, bottom section of clamp from hot-dip galvanised steel

**St** Steel

**FT** Hot-dip galvanised

### Master data

Item number	5052157
Type	952 Z 1 1/2
Description 1	Earthing clamp
Description 2	for steel strip
Manufacturer	OBO
Dimension	1 1/2"
Material	Steel
Surface	Hot-dip galvanised
Surface standard	DIN EN ISO 1461
Smallest sales unit	5
Unit of quantity	Piece
Weight	34.72 kg
Weight unit	kg/100 pc.

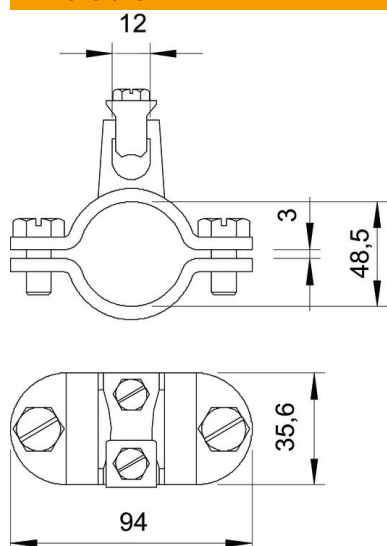
# Technical data sheet

## Earthing clamp, type 952

Item number: 5052157



### Dimensions



Dimension A	94 mm
Dimension D	48.5 mm
Dimension X	3 mm

### Technical data

Number of conductors	1
Cross-section of cable to be connected, max.	70 mm <sup>2</sup>
Cross-section of cable to be connected, min.	16 mm <sup>2</sup>
Clamping range D	1 1/2
Clamping range D, max.	48.5 mm
Clamping range D, min.	45.5 mm