

Technical data sheet

Connector, Rd 8–10 mm with pressure trough FT

Item number: 5304164



- With 1 Fix-Kontakt clamping bolt, nut and spring washer
- With pre-mounted pressure trough
- Corresponds to the requirements of VDE 0185-305 (IEC 62305)



St Steel

FT Hot-dip galvanised

Master data

Item number	5304164
Description 1	Connection terminal
Description 2	for round conductors
Manufacturer	OBO
Dimension	8-10mm
Material	Steel
Surface	Hot-dip galvanised
Surface standard	DIN EN ISO 1461
Smallest sales unit	20
Unit of quantity	Piece
Weight	5.9 kg
Weight unit	kg/100 pc.

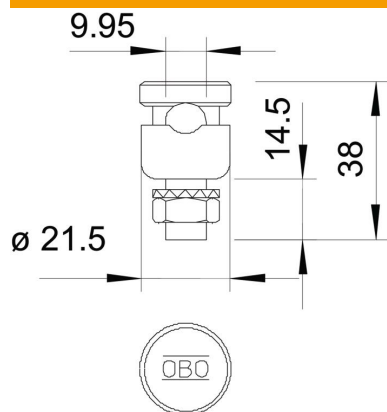
Technical data sheet

Connector, Rd 8–10 mm with pressure trough FT

Item number: 5304164



Dimensions



Technical data

Type of fastening screw	Clamping screw
Type of connector	Connectors
Lightning current carrying capacity	N/50 kA
Suitable for connection	Miscellaneous
Fit	Rd 8-10 mm
Intermediate plate	no