

Technical data sheet

Hat profile rail 15 x 5 mm

Item number: 1115278



Hat profile rail 15 x 5 mm to DIN EN 60715 (formerly DIN EN 50045).



St Steel

GTP Electrogalvanized, transparently passivated

Master data

Item number	1115278
Description 1	Top hat rail
Description 2	for terminal block fastening
Manufacturer	OBO
Dimension	189x15x7,5
Material	Steel
Surface	Electrogalvanized, transparently passivated
Surface standard	
Smallest sales unit	10
Unit of quantity	Piece
Weight	3.27 kg
Weight unit	kg/100 pc.
CO Footprint (GWP) Cradle-to-Gate	0,076 kg COe / 1 Piece

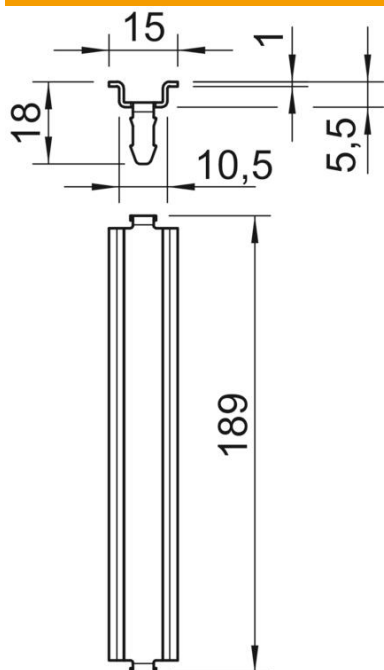
Technical data sheet

Hat profile rail 15 x 5 mm

Item number: 1115278



Dimensions



Length	189 mm
Width	15 mm
Height	5 mm

Technical data

Version for	For T 250 lengthwise
Version, rails	Support rail DIN EN 60715
Hole shape (ETIM)	Without
Material thickness	1 mm