

Technical data sheet

Tilting anchor

Item number: 3482030



One washer and one hexagonal nut, with ceiling hook.
Note: Reckon with 5x safety for luminaire suspensions.

CE

St Steel

G Electrogalvanized

Master data

Item number	3482030
Type	454 M6x100 G
Description 1	Tilting anchors
Description 2	with ceiling hook
Manufacturer	OBO
Dimension	M6x100mm
Material	Steel
Surface	Electrogalvanized
Surface standard	EN ISO 19598 / EN ISO 4042
Smallest sales unit	25
Unit of quantity	Piece
Weight	6 kg
Weight unit	kg/100 pc.

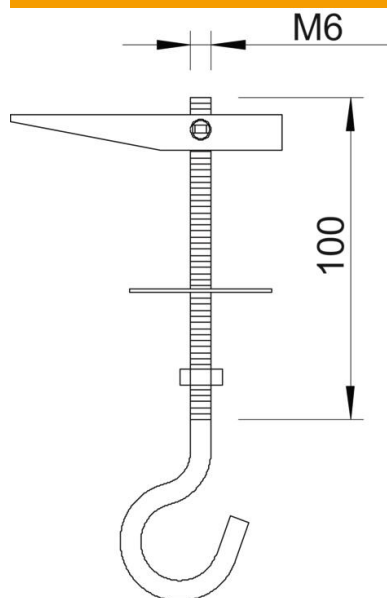
Technical data sheet

Tilting anchor

Item number: 3482030



Dimensions



Length	100 mm
Dimension L	100 mm

Technical data

Version for	With ceiling hook
Drill hole	16 mm
Drill hole diameter, min.	16 mm
Breaking load	0.7 kN
Thread	M6
Thread type	Metric
hook diameter	16 mm
With washer	yes
Protection ring for ceramics	no