

Technical data sheet

Fix ISO tensioning wire clip

Item number: 2307638



The cable and pipe fastenings of the special system include cable ties, fastening straps and installation strips, with which cable and pipe installations can be fastened to cable support systems such as cable or mesh cable trays or other mounting constructions. A complete tensioning wire system to suspend and catch cable weights is also a component part of the special system.



A4 Stainless steel

2B Bright, treated

Master data

Item number	2307638
Type	4021 K 9-16 A4
Description 1	Tensioning wire clip
Description 2	with plastic inserts
Manufacturer	OBO
Dimension	9-16mm
Material	Stainless steel
Surface	Bright, treated
Surface standard	
Smallest sales unit	100
Unit of quantity	Piece
Weight	1.457 kg
Weight unit	kg/100 pc.

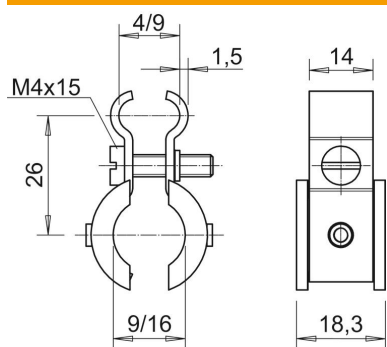
Technical data sheet

Fix ISO tensioning wire clip

Item number: 2307638



Dimensions



Dimension A	26 mm
Dimension b	14 mm
Dimension b1	18.3 mm

Technical data

Number of cables/pipes	1
Version for	Not insulated
for cable diameter, max.	9 mm
Bolt	M4x16