

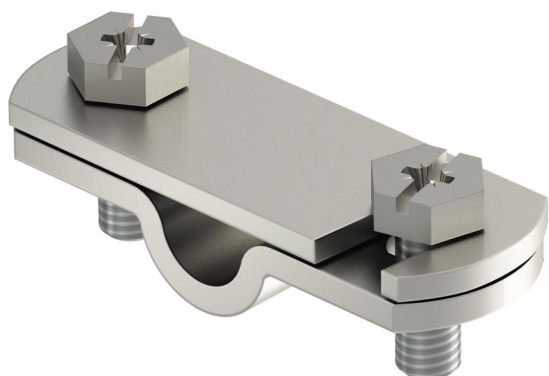
Technical data sheet

Number plates A2

Item number: 3049221



- To identify the point of separation
- Suitable for universal labelling (e.g. stamped numbers)



A2 Stainless steel

Master data

Item number	3049221
Description 1	Number sign
Description 2	for separation points
Manufacturer	OBO
Dimension	8-10mm
Material	Stainless steel
Smallest sales unit	5
Unit of quantity	Piece
Weight	5.6 kg
Weight unit	kg/100 pc.

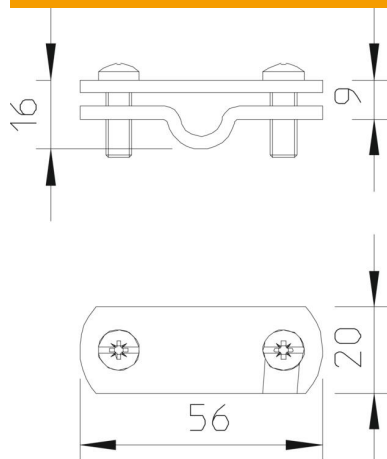
Technical data sheet

Number plates A2

Item number: 3049221



Dimensions



Technical data

Type of accessory	Labelling panel
Fit	RD 8 - 10 / FL30 mm