

Technical data sheet

Quick pipe connecting sleeve, pure white

Item number: 2154097



Connection sleeve for plastic electrical installation pipes to create straight connections. Suitable for Quick pipe pipes or corrugated pipes. Toolless closing and opening. Can be used in a temperature range of -25 to +60 °C.



PP Polypropylene

Master data

Item number	2154097
Description 1	Quick pipe connecting sleeve
Manufacturer	OBO
Dimension	M32
Colour	Pure white; RAL 9010
Material	Polypropylene
Smallest sales unit	10
Unit of quantity	Piece
Weight	1.095 kg
Weight unit	kg/100 pc.

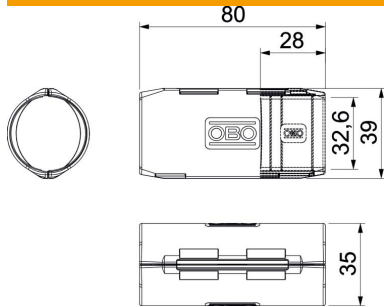
Technical data sheet

Quick pipe connecting sleeve, pure white

Item number: 2154097



Dimensions



Dimension B	39 mm
Dimension d	32.6 mm
Dimension L	80 mm
Dimension L1	28 mm

Technical data

Size	M32
Halogen-free	yes
Polished surface	no
Permitted temperature range, max.	60 °C
Permitted temperature range, min.	0 °C