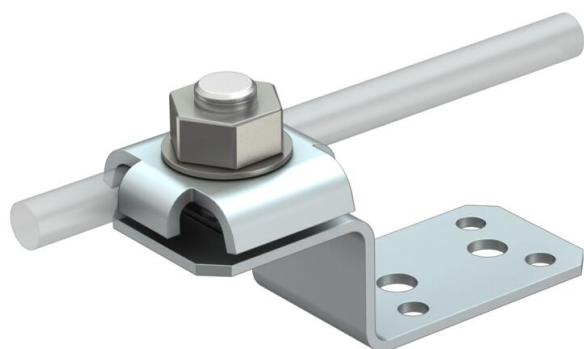


# Technical data sheet

## Connection component with double crossbar

Item number: 5320707



- Corresponds to the requirements according to VDE 0185-305 (IEC 62305)
- Quick mounting thanks to an M10x30 bolt made of rustproof stainless steel
- With spring washer
- 4 fastening holes Ø 5.2 mm
- 2 fastening holes Ø 6.9 mm



**Alu** Aluminium

### Master data

Item number	5320707
Description 1	Connection component
Description 2	with double crossbar
Manufacturer	OBO
Dimension	82x30x26
Colour	aluminium
Material	Aluminium
Smallest sales unit	10
Unit of quantity	Piece
Weight	6.45 kg
Weight unit	kg/100 pc.

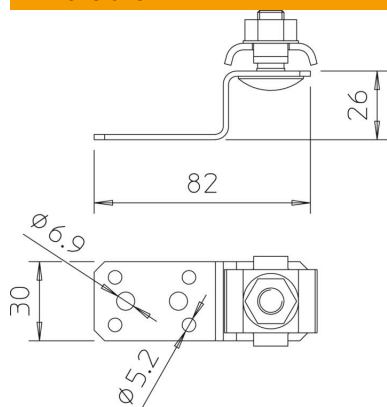
# Technical data sheet

## Connection component with double crossbar

Item number: 5320707



### Dimensions



### Technical data

Type of fastening screw	Gutter bolt
Type of connector	Connection terminal
Lightning current carrying capacity	N/50 kA
Suitable for round conductor diameters, min.	8 mm
Fit	8 mm
Clamping range, min.	8 mm