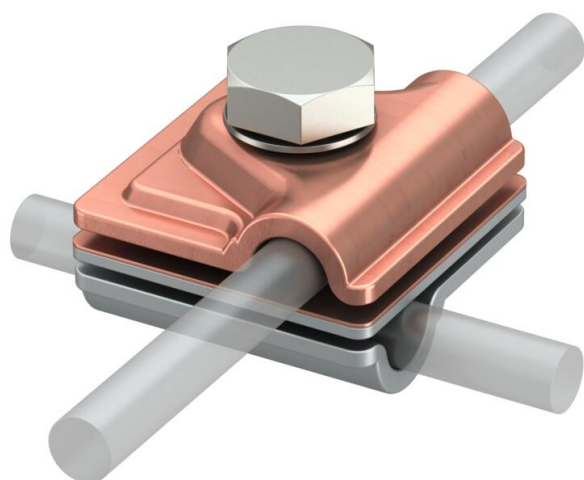


Technical data sheet

Variable bi-metal quick connector

Item number: 5311535



- Intermediate plate, copper/aluminium, top section copper and aluminium
- For T, cross and parallel connectors
- Quick installation using hexagonal bolt M10 x 30, high-grade stainless steel
- With spring washer according to DIN 137
- Conforms to the requirements according to DIN VDE 0185-305 (IEC 62305)



Cu Copper

Master data

Item number	5311535
Type	249 8-10 ZV
Description 1	Quick connector
Description 2	vario
Manufacturer	OBO
Dimension	44x44mm
Material	Copper
Smallest sales unit	10
Unit of quantity	Piece
Weight	14.22 kg
Weight unit	kg/100 pc.

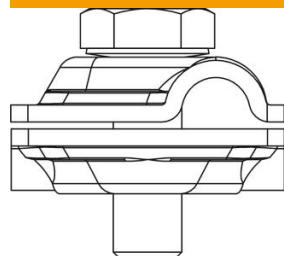
Technical data sheet

Variable bi-metal quick connector

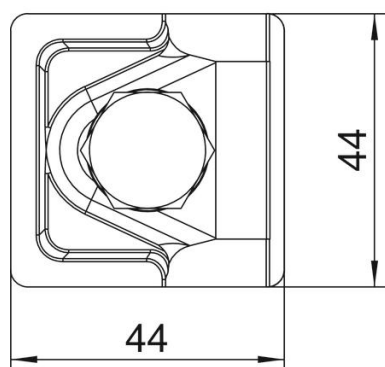
Item number: 5311535



Dimensions



Dimension A | 44 mm



Technical data

Type of fastening screw	Hexagonal bolt
Type of connector	Multipurpose connection clamp
Lightning current carrying capacity	H/100 kA
Suitable for connection	Round conductor Rd 8–10 / Rd 8–10
Fit	Rd 8-10 mm
Round conductor diameter, conductor 1, max.	10 mm
Round conductor diameter, conductor 1, min.	8 mm
Round conductor diameter, conductor 2, max.	10 mm
Round conductor diameter, conductor 2, min.	8 mm
Material upper part	Al
Material lower part	Cu
Intermediate plate	yes