

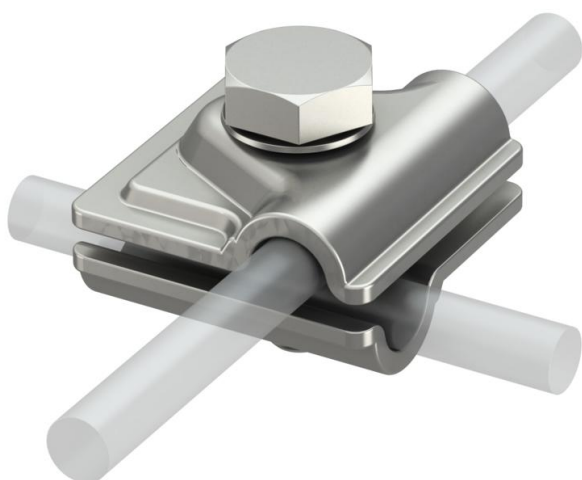
Technical data sheet

Vario quick connector A4

Item number: 5311404



- For T, cross-over and parallel connections
- Complete component made of A4
- Quick mounting using an M10 x 30 bolt, made from rustproof stainless steel
- Meets the requirements of VDE 0185-305 (IEC 62305)



A4 Stainless steel

Master data

Item number	5311404
Type	249 8-10 V4A
Description 1	Quick connector round/round
Description 2	Vario
Manufacturer	OBO
Dimension	40x40mm
Material	Stainless steel
Smallest sales unit	10
Unit of quantity	Piece
Weight	9.5 kg
Weight unit	kg/100 pc.

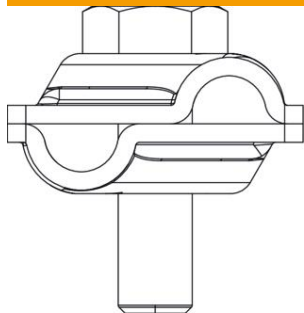
Technical data sheet

Vario quick connector A4

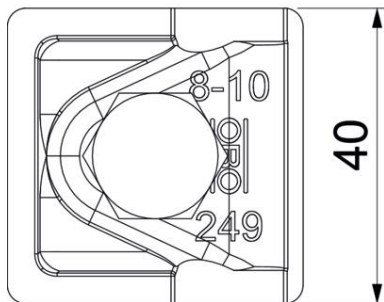
Item number: 5311404



Dimensions



Length	40 mm
Dimension A	40 mm



Technical data

Connection	Round conductor
TBS application	Connection system
Type of fastening screw	Hexagonal bolt
Type of connector	Multipurpose connection clamp
Lightning current carrying capacity	H/100 kA
Suitable for connection	Round conductor Rd 8–10 / Rd 8–10
Short-circuit current (50 Hz)(1 s; $\leq 300^{\circ}\text{C}$)	1.4
Fit	Rd 8-10 mm
Round conductor diameter, conductor 1, max.	10 mm
Round conductor diameter, conductor 1, min.	8 mm
Round conductor diameter, conductor 2, max.	10 mm
Round conductor diameter, conductor 2, min.	8 mm
Intermediate plate	no