

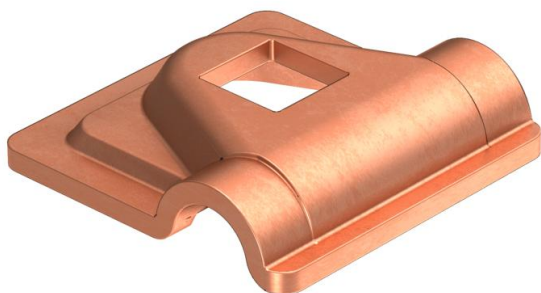
Technical data sheet

Quick connector, upper part Rd 8–10 mm CU

Item number: 5311530



- For round conductor fastening Rd 8-10
- Suitable for M10 bolts



Cu Copper

Master data

Item number	5311530
Type	249 8-10 CU-OT
Description 1	Quick connector
Description 2	cover
Manufacturer	OBO
Dimension	40x40mm
Material	Copper
Smallest sales unit	100
Unit of quantity	Piece
Weight	3.58 kg
Weight unit	kg/100 pc.

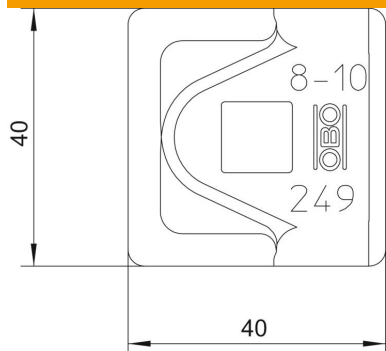
Technical data sheet

Quick connector, upper part Rd 8–10 mm CU

Item number: 5311530



Dimensions



Dimension A | 40 mm

Technical data

Fit | Rd 8-10 mm