

Technical data sheet

Profile earth rod connection with round conductor lug

Item number: 5003784



- With 2 m round conductor lugs Rd 10
- For the construction of earthing systems, e.g. antenna or earthing of building site distribution boards

- St** Steel
- FT** Hot-dip galvanised

Master data

| | |
|---------------------|--------------------------|
| Item number | 5003784 |
| Type | 213 2000 F |
| Description 1 | Cross profiled earth rod |
| Description 2 | with round conductor lug |
| Manufacturer | OBO |
| Dimension | 2000mm |
| Material | Steel |
| Surface | Hot-dip galvanised |
| Surface standard | DIN EN ISO 1461 |
| Smallest sales unit | 1 |
| Unit of quantity | Piece |
| Weight | 610.9 kg |
| Weight unit | kg/100 pc. |

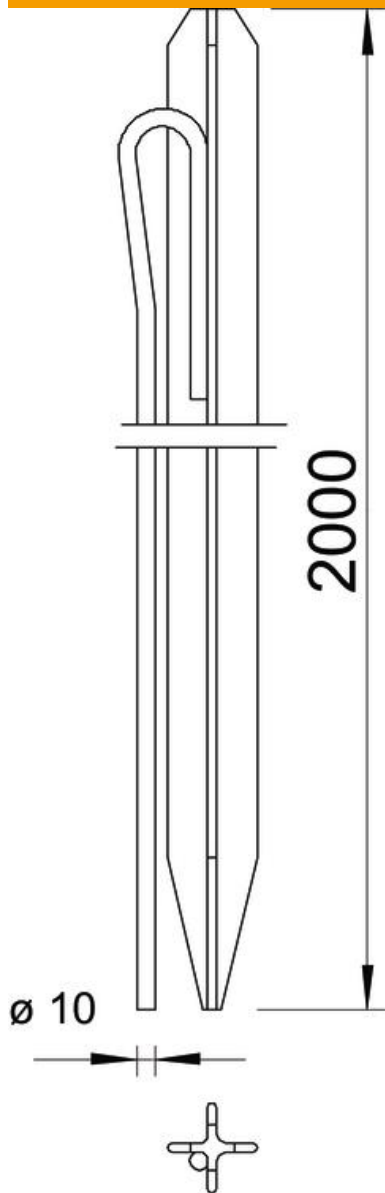
Technical data sheet

Profile earth rod connection with round conductor lug

Item number: 5003784



Dimensions



| | |
|-------------|----------|
| Length | 2,000 mm |
| Dimension L | 2,000 mm |

Technical data

| | |
|-----------------|--------------------------|
| Version for | With round conductor lug |
| Profile type | Cross |
| Connection type | Miscellaneous |