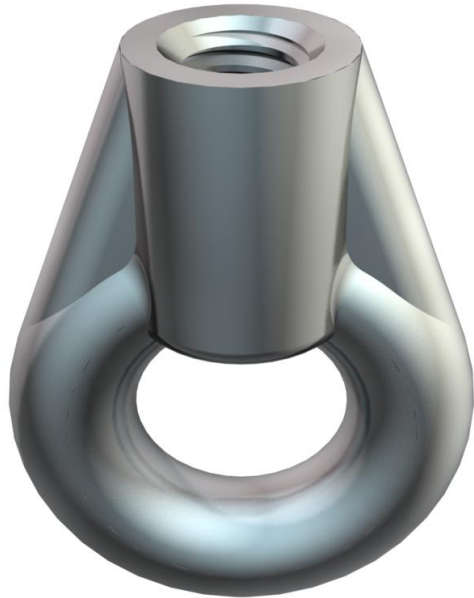


Technical data sheet

Ring eyelet

Item number: 3463060



Ring eyelet with metric internal thread.



- Zn** Die-cast zinc
- G** Electrogalvanized

Master data

Item number	3463060
Type	2084 K M6
Description 1	Ring lug
Manufacturer	OBO
Dimension	M6
Material	Die-cast zinc
Surface	Electrogalvanized
Surface standard	EN ISO 19598 / EN ISO 4042
Smallest sales unit	100
Unit of quantity	Piece
Weight	1.5 kg
Weight unit	kg/100 pc.

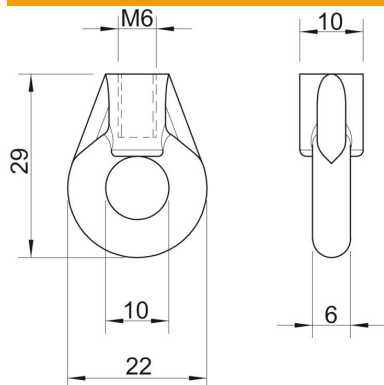
Technical data sheet

Ring eyelet

Item number: 3463060



Dimensions



Dimension b	6 mm
Dimension B \varnothing	10 mm
Dimension D	22 mm
Dimension d \varnothing	10 mm
Dimension L	29 mm

Technical data

Breaking load	1.15 kN
Thread metric	6
Thread length	13 mm