

# Technical data sheet

## Universal counter-trough, plastic

Item number: 1198028



Regardless of the type of rail, the counter-trough can be used by applying it onto one side of the clamp clip. Due to an intelligent contour on the backside, the counter-trough can be combined to a double trough. Retrofitting possible without the need to dismantle.



**PP** Polypropylene

### Master data

Item number	1198028
Type	2058UW 28 LGR
Description 1	Counter-trough
Description 2	combinable with double trough
Available from	15.05.2019
Manufacturer	OBO
Dimension	22-28mm
Colour	Light grey; RAL 7035
Material	Polypropylene
Smallest sales unit	100
Unit of quantity	Piece
Weight	0.391 kg
Weight unit	kg/100 pc.

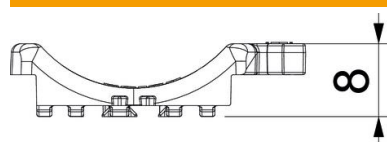
# Technical data sheet

## Universal counter-trough, plastic

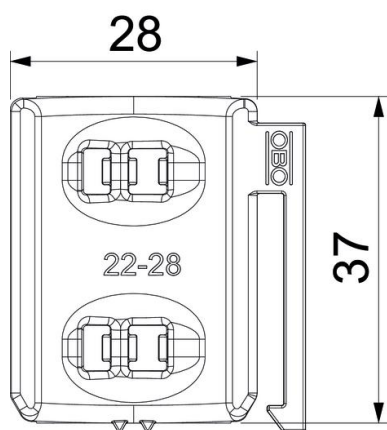
Item number: 1198028



### Dimensions



Dimension B	33.5 mm
Dimension H	8.3 mm
Dimension L	37 mm



### Technical data

Counter-trough/clip version	Counter sleeve
Suitable for max. cable diameter	28 mm
Clamping range D, max.	28 mm
Clamping range D, min.	22 mm