

# Technical data sheet

## Clamp clip, single, plastic pressure trough, FT

Item number: 1160168



Suitable for all C profile rails with slot width 16–17 mm.  
Hot-dip galvanized steel clip and bolt, polypropylene pressure trough, halogen-free, colour light grey RAL 7035.  
Version with welding and/or locknuts for use under difficult circumstances and for shake protection on request.



St

Steel

FT

Hot-dip galvanized

### Master data

Item number	1160168
Description 1	Clamp clip
Manufacturer	OBO
Dimension	12-16mm
Material	Steel
Surface	Hot-dip galvanized
Surface standard	DIN EN ISO 1461
Smallest sales unit	100
Unit of quantity	Piece
Weight	3.82 kg
Weight unit	kg/100 pc.
CO Footprint (GWP) Cradle-to-Gate	0,0716 kg COe / 1 Piece

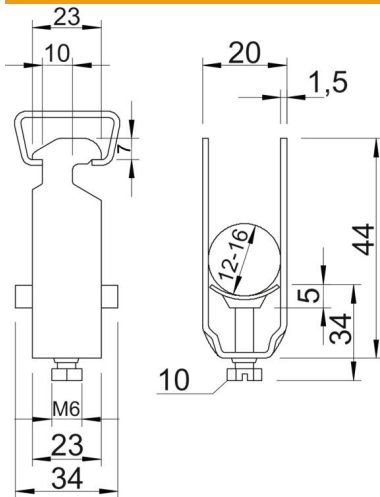
# Technical data sheet

## Clamp clip, single, plastic pressure trough, FT



Item number: 1160168

### Dimensions



Dimension A	23 mm
Dimension B	20 mm
Dimension C	34 mm
Dimension G (mm)	M6
Dimension H	44 mm
Dimension L	34 mm
Dimension t	1.5 mm
Dimension x	5 mm

### Technical data

Number of cables/pipes	1
for rail with slot width (with interval), max.	17 mm
for rail with slot width (with interval), min.	16 mm
Halogen-free	yes
Max. Tightening torque	3 Nm
With plastic trough	yes
With metal trough	no
Mounting type	Profile rail
Impact-resistant	no
Clamping range D, max.	16 mm
Clamping range D, min.	12 mm
Surface addition	hot galvanised
Material addition	Steel
With counter-trough	no
Material of trough	Plastic
Material quality of trough	Polypropylene