

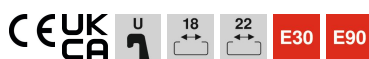
Technical data sheet

Clamp clip, single, FT metal pressure trough

Item number: 1158104



Suitable for all C profile rails with slot width 18 mm and 22 mm.



St Steel

FT Hot-dip galvanised

Master data

| | |
|---------------------|--------------------------|
| Item number | 1158104 |
| Description 1 | Clamp clip |
| Description 2 | with metal pressure sump |
| Manufacturer | OBO |
| Dimension | 58-64mm |
| Material | Steel |
| Surface | Hot-dip galvanised |
| Surface standard | DIN EN ISO 1461 |
| Smallest sales unit | 100 |
| Unit of quantity | Piece |
| Weight | 15.73 kg |
| Weight unit | kg/100 pc. |

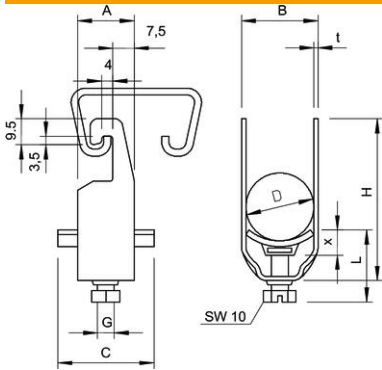
Technical data sheet

Clamp clip, single, FT metal pressure trough

Item number: 1158104



Dimensions



| | |
|------------------|---------|
| Dimension A | 23 mm |
| Dimension B | 70 mm |
| Dimension C | 40 mm |
| Dimension G (mm) | M8 |
| Dimension H | 97 mm |
| Dimension L | 38.5 mm |
| Dimension t | 2.5 mm |
| Dimension x | 6.5 mm |

Technical data

| | |
|------------------------------------------------|----------------|
| Number of cables/pipes | 1 |
| For pipe diameter, max. | 63 mm |
| For pipe diameter, min. | 63 mm |
| for rail with slot width (with interval), max. | 22 mm |
| for rail with slot width (with interval), min. | 18 mm |
| Halogen-free | no |
| Max. Tightening torque | 5 Nm |
| With plastic trough | no |
| With metal trough | yes |
| Mounting type | Profile rail |
| Impact-resistant | no |
| Clamping range D, max. | 64 mm |
| Clamping range D, min. | 58 mm |
| Surface addition | hot galvanised |
| Material addition | Steel |
| With counter-trough | no |
| Material of trough | Steel |