

Technical data sheet

Grip collection clamp, metal 70 A2

Item number: 2207112



Metal cable tidy for high mechanical stability, even in case of fire. Suitable for safe mounting above fire protection ceilings. Also approved as a cable-specific variant for the maintenance of electrical functionality to DIN 4102 part 12. For wall and ceiling mounting. The lock can be opened without tools.

Detailed information on the approved routing variants can be found in the appropriate testing documentation.



A2 Stainless steel

2B Bright, treated

Master data

Item number	2207112
Description 1	Grip collecting clamp
Manufacturer	OBO
Dimension	70x NYM3x1,5
Material	Stainless steel
Surface	Bright, treated
Surface standard	
Smallest sales unit	10
Unit of quantity	Piece
Weight	37 kg
Weight unit	kg/100 pc.
CO Footprint (GWP) Cradle-to-Gate	2,487 kg COe / 1 Piece

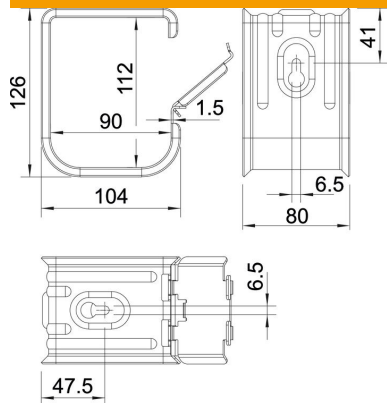
Technical data sheet

Grip collection clamp, metal 70 A2

Item number: 2207112



Dimensions



Technical data

No. of conductors NYM 3 x 1.5	70
Maintain electrical functions	yes
Halogen-free	yes
With anchor	no