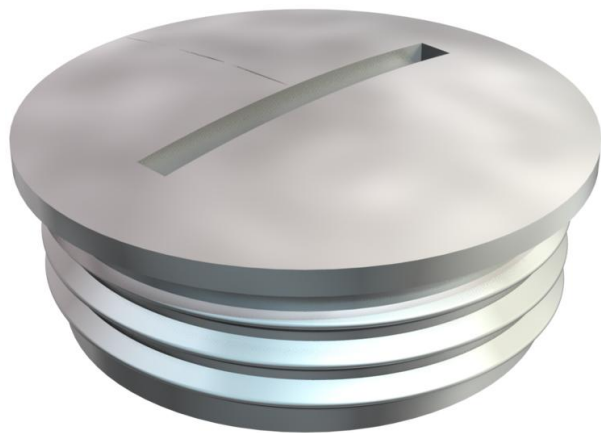


Technical data sheet

Screw plug, PG thread

Item number: 2090139



Screw plug N in accordance with DIN 46320, with PG thread to DIN 40430.

In conjunction with sealing ring, types 107, 170 or 171, protection rating IP68 (5 bar/1 hr).

Sealing ring not contained in the scope of delivery.

* Prices according to DEL notation.



CuZn
37 Brass

N Nickel-plated

Master data

Item number	2090139
Type	168 MS PG13
Description 1	Screw plug
Manufacturer	OBO
Dimension	PG13,5
Material	Brass
Surface	Nickel-plated
Surface standard	
Smallest sales unit	100
Unit of quantity	Piece
Weight	0.93 kg
Weight unit	kg/100 pc.

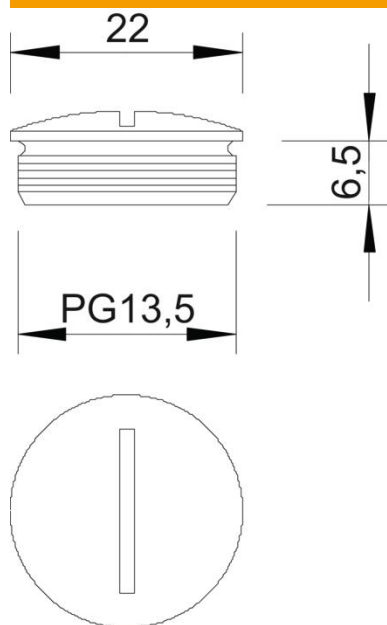
Technical data sheet

Screw plug, PG thread

Item number: 2090139



Dimensions



Dimension D	22 mm
Dimension L	6.5 mm

Technical data

explosion-proof	no
For Ex zone gas	Without
For Ex zone dust	Without
Thread	Pg 13,5
Thread type	PG
Nominal thread size metric/PG	13.5
Thread increase	1.41 mm
Fibre-glass reinforced	no
Halogen-free	yes
Impact-resistant	no
Protection rating	IP68