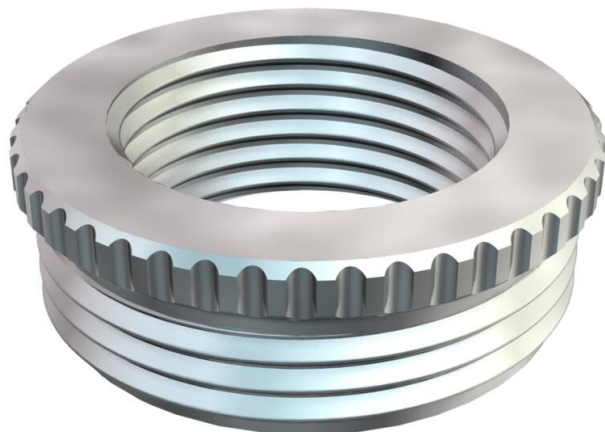


Technical data sheet

Reduction, PG thread

Item number: 2089319



Reduction (Part H) to DIN 46320, with Pg thread to DIN 40430, as a transition from a PG thread hole to a smaller cable gland.

* Prices according to DEL notation.



CuZn
37 Brass

N Nickel-plated

Master data

| | |
|---------------------|------------------|
| Item number | 2089319 |
| Type | 167 R MS PG29-21 |
| Description 1 | Reduction |
| Manufacturer | OBO |
| Dimension | PG29-PG21 |
| Material | Brass |
| Surface | Nickel-plated |
| Surface standard | |
| Smallest sales unit | 50 |
| Unit of quantity | Piece |
| Weight | 4.273 kg |
| Weight unit | kg/100 pc. |

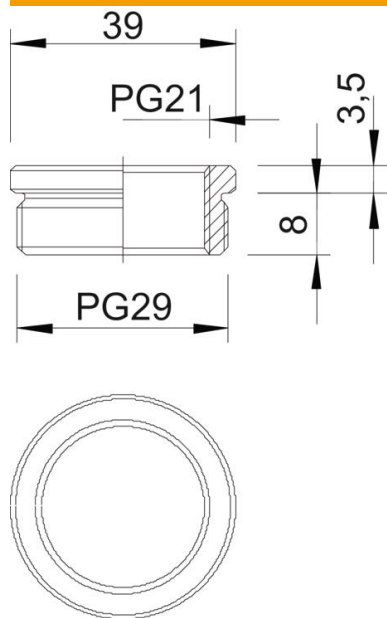
Technical data sheet

Reduction, PG thread

Item number: 2089319



Dimensions



| | |
|--------------|--------|
| Dimension D | 39 mm |
| Dimension L1 | 8 mm |
| Dimension L2 | 3.5 mm |

Technical data

| | |
|--------------------------------|------|
| explosion-proof | no |
| Thread type: External thread | PG |
| Thread type: Internal thread | PG |
| Thread length | 8 mm |
| Thread dimension, PG, external | 29 |
| Thread dimension, PG, internal | 21 |
| Nickel-plated | yes |