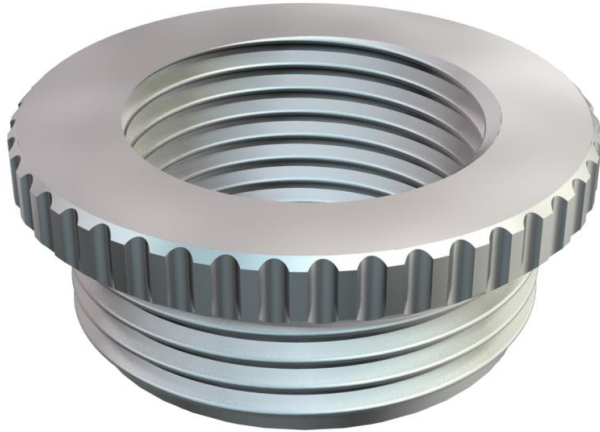


Technical data sheet

Reduction, metric thread

Item number: 2089513



Reduction (Part H) in accordance with DIN 46320, with metric thread to DIN EN 60423 or ISO 68.

* Prices according to DEL notation.



CuZn
37 Brass

N Nickel-plated

Master data

| | |
|---------------------|-----------------|
| Item number | 2089513 |
| Type | 167 R MS M20-12 |
| Description 1 | Reduction |
| Manufacturer | OBO |
| Dimension | M20-M12 |
| Material | Brass |
| Surface | Nickel-plated |
| Surface standard | |
| Smallest sales unit | 50 |
| Unit of quantity | Piece |
| Weight | 1.34 kg |
| Weight unit | kg/100 pc. |

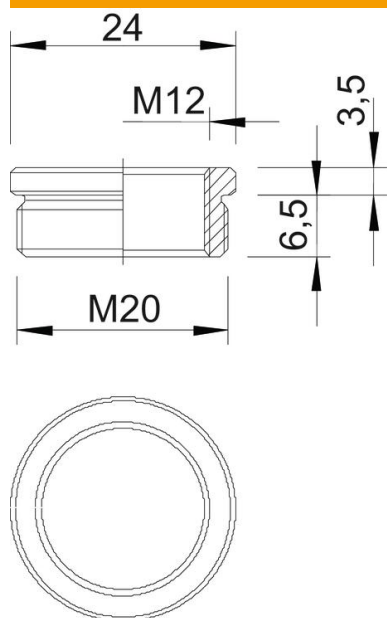
Technical data sheet

Reduction, metric thread

Item number: 2089513



Dimensions



| | |
|--------------|--------|
| Dimension D | 24 mm |
| Dimension L1 | 6.5 mm |
| Dimension L2 | 3.5 mm |

Technical data

| | |
|------------------------------------|--------|
| explosion-proof | no |
| Thread type: External thread | Metric |
| Thread type: Internal thread | Metric |
| Thread length | 6.5 mm |
| Thread dimension, metric, external | 20 |
| Thread dimension, metric, internal | 12 |
| Nickel-plated | yes |