

# Technical data sheet

## Roof conductor holder, suitable for direct bonding

Item number: 5218829



- With conductor holder and bottom section, hot-dip galvanised steel
- Bottom section Ø 100 mm

**St** Steel

**FT** Hot-dip galvanised

### Master data

Item number	5218829
Type	165 B 100
Description 1	Roof conductor holder
Description 2	for flat roofs
Manufacturer	OBO
Dimension	100mm
Material	Steel
Surface	Hot-dip galvanised
Surface standard	DIN EN ISO 1461
Smallest sales unit	50
Unit of quantity	Piece
Weight	27.7 kg
Weight unit	kg/100 pc.

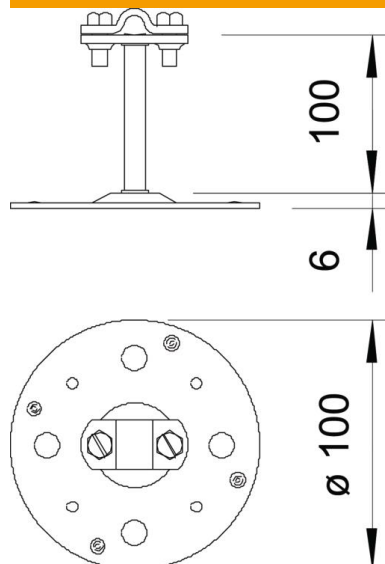
# Technical data sheet

## Roof conductor holder, suitable for direct bonding

Item number: 5218829



### Dimensions



Length	100 mm
Dimension H	100 mm

### Technical data

Application	Flat roof
Conductor fastening type	With screw clip
Conductor diameter, max.	10
Conductor diameter, min.	8
Mounting type	Adhesive
Mounting height	100 mm
Fit	Rd 8-10 mm
Material of the holder	Steel, hot galvanised
Material of the support	Steel, hot galvanised