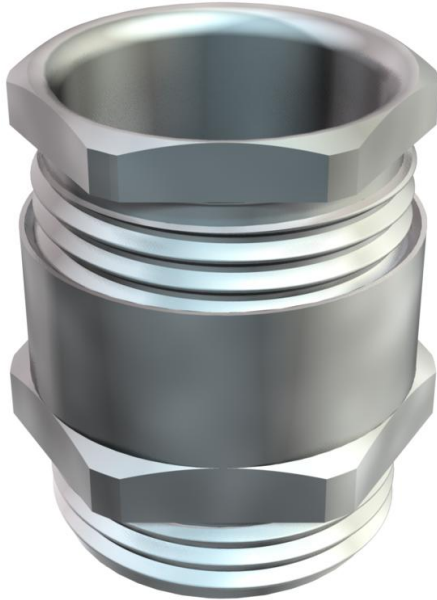


Technical data sheet

Cone cable gland, PG thread, cutting ring, nickel-plated

Item number: 2082620



Cable gland with hexagonal intermediate connector, shape C4, to DIN 46320 with metric connection thread to DIN EN 60423 and ISO 68. Pressure rings made of electrogalvanised and transparently passivated steel. NR/SBR sealing ring.

Protection rating: with connection thread sealing ring IP 65, without connection thread sealing ring IP 54.

With cutting ring.

* Prices according to DEL notation.



CuZn
37 Brass

N Nickel-plated

Master data

Item number	2082620
Description 1	Cable gland
Description 2	with cutting ring
Manufacturer	OBO
Dimension	PG7
Material	Brass
Surface	Nickel-plated
Surface standard	
Smallest sales unit	50
Unit of quantity	Piece
Weight	1 kg
Weight unit	kg/100 pc.

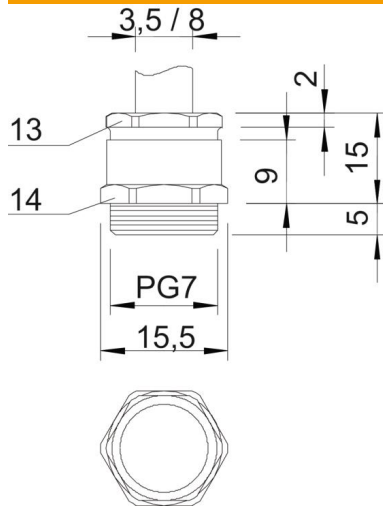
Technical data sheet

Cone cable gland, PG thread, cutting ring, nickel-plated



Item number: 2082620

Dimensions



Dimension E	15.5 mm
Dimension L	15 mm
Dimension L max.	15 mm
Dimension L1	5 mm
Dimension L2	9 mm
Dimension L3	2 mm

Technical data

Type of seal	Cuttable sealing ring
Bend protection	no
Sealing area D, max.	8 mm
Sealing area D, min.	3.5 mm
explosion-proof	no
Flat cable gland	no
For Ex zone	Without
Thread	Pg 7
Thread type	PG
Thread length	5 mm
Fibre-glass reinforced	no
Halogen-free	no
Sealing insert, multiple	no
With locknut	no
Impact-resistant	no
WAF 1	14 mm
WAF 2	13 mm
Protection rating	IP54
Strain relief option	no