

Technical data sheet

Cone cable gland, PG thread, cutting ring, nickel-plated

Item number: 2082632



Cable gland with hexagonal intermediate connector, shape C4, to DIN 46320 with Pg connection thread to DIN 40430.

Pressure rings made of electrogalvanised and transparently passivated steel.

NR/SBR sealing ring.

Protection rating: with connection thread sealing ring IP 65, without connection thread sealing ring IP 54.

With cutting ring.

* Prices according to DEL notation.



 Brass

 Nickel-plated

Master data

Item number	2082632
Description 1	Cable gland
Description 2	with cutting ring
Manufacturer	OBO
Dimension	PG48
Material	Brass
Surface	Nickel-plated
Surface standard	
Smallest sales unit	5
Unit of quantity	Piece
Weight	33.1 kg
Weight unit	kg/100 pc.

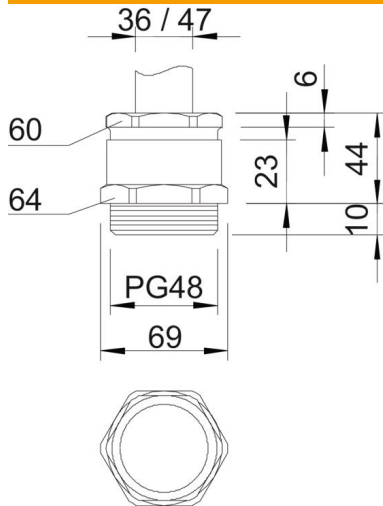
Technical data sheet

Cone cable gland, PG thread, cutting ring, nickel-plated



Item number: 2082632

Dimensions



Dimension E	69 mm
Dimension L	44 mm
Dimension L max.	44 mm
Dimension L1	10 mm
Dimension L2	23 mm
Dimension L3	6 mm

Technical data

Type of seal	Cutttable sealing ring
Bend protection	no
Sealing area D, max.	47 mm
Sealing area D, min.	36 mm
explosion-proof	no
Flat cable gland	no
For Ex zone	Without
Thread	Pg 48
Thread type	PG
Thread length	10 mm
Fibre-glass reinforced	no
Halogen-free	no
Sealing insert, multiple	no
With locknut	no
Impact-resistant	no
WAF 1	64 mm
WAF 2	60 mm
Protection rating	IP54
Permitted temperature range, max.	65 °C
Permitted temperature range, min.	-20 °C
Strain relief option	no