

Technical data sheet

Cone cable gland, PG thread, cutting ring, nickel-plated

Item number: 2082527



Cable gland with hexagonal intermediate connector, shape C4, to DIN 46320 with Pg connection thread to DIN 40430.

Pressure rings made of electrogalvanised and transparently passivated steel.

NR/SBR sealing ring.

Protection rating: with connection thread sealing ring IP 65, without connection thread sealing ring IP 54.

With cutting ring.

* Prices according to DEL notation.



CuZn
37 Brass

N Nickel-plated

Master data

| | |
|---------------------|-------------------|
| Item number | 2082527 |
| Description 1 | Cable gland |
| Description 2 | with cutting ring |
| Manufacturer | OBO |
| Dimension | PG13,5 |
| Material | Brass |
| Surface | Nickel-plated |
| Surface standard | |
| Smallest sales unit | 50 |
| Unit of quantity | Piece |
| Weight | 2.63 kg |
| Weight unit | kg/100 pc. |

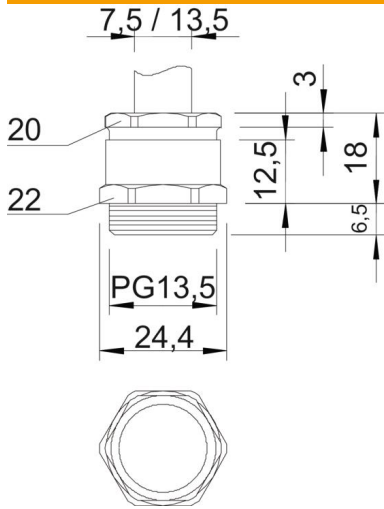
Technical data sheet

Cone cable gland, PG thread, cutting ring, nickel-plated



Item number: 2082527

Dimensions



| | |
|------------------|---------|
| Dimension E | 24.4 mm |
| Dimension L | 18 mm |
| Dimension L max. | 18 mm |
| Dimension L1 | 6.5 mm |
| Dimension L2 | 12.5 mm |
| Dimension L3 | 3 mm |

Technical data

| | |
|--------------------------|-----------------------|
| Type of seal | Cuttable sealing ring |
| Bend protection | no |
| Sealing area D, max. | 13.5 mm |
| Sealing area D, min. | 7.5 mm |
| explosion-proof | no |
| Flat cable gland | no |
| For Ex zone | Without |
| Thread | Pg 13,5 |
| Thread type | PG |
| Thread length | 6.5 mm |
| Fibre-glass reinforced | no |
| Halogen-free | no |
| Sealing insert, multiple | no |
| With locknut | no |
| Impact-resistant | no |
| WAF 1 | 22 mm |
| WAF 2 | 20 mm |
| Protection rating | IP54 |
| Strain relief option | no |