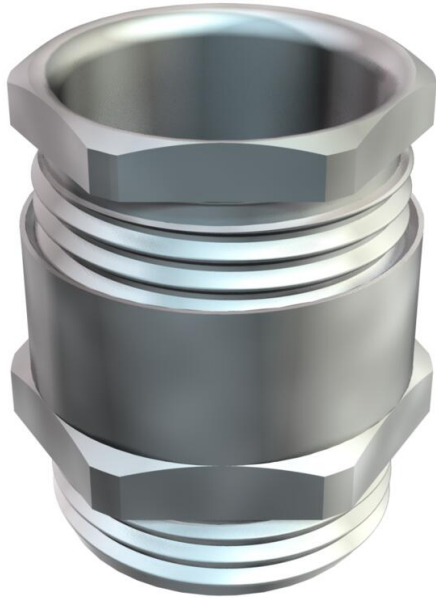


Technical data sheet

Cone cable gland, metric thread, cutting ring, nickel-plated

Item number: 2083732



Cable gland with hexagonal intermediate connector, shape C4, to DIN 46320 with metric connection thread to DIN EN 60423 and ISO 68. Pressure rings made of electrogalvanised and transparently passivated steel. NR/SBR sealing ring.

Protection rating: with connection thread sealing ring IP 65, without connection thread sealing ring IP 54.

With cutting ring.

* Prices according to DEL notation.



CuZn
37 Brass

N Nickel-plated

Master data

Item number	2083732
Description 1	Cable gland
Description 2	with cutting ring
Manufacturer	OBO
Dimension	M50
Material	Brass
Surface	Nickel-plated
Surface standard	
Smallest sales unit	5
Unit of quantity	Piece
Weight	15.8 kg
Weight unit	kg/100 pc.

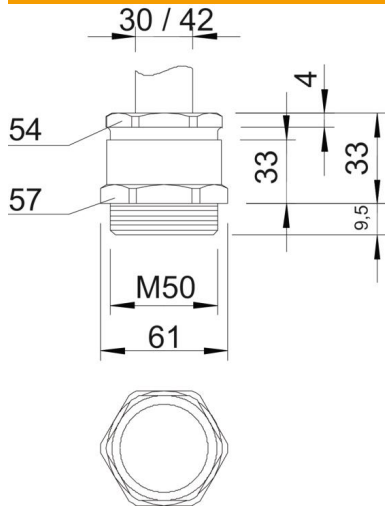
Technical data sheet

Cone cable gland, metric thread, cutting ring, nickel-plated



Item number: 2083732

Dimensions



Dimension E	61 mm
Dimension L	33 mm
Dimension L max.	33 mm
Dimension L1	9.5 mm
Dimension L2	33 mm
Dimension L3	4 mm

Technical data

Type of seal	Cutttable sealing ring
Bend protection	no
Sealing area D, max.	42 mm
Sealing area D, min.	30 mm
explosion-proof	no
Flat cable gland	no
For Ex zone	Without
Thread	M50 x 1,5
Thread type	Metric
Thread length	9.5 mm
Fibre-glass reinforced	no
Halogen-free	no
Sealing insert, multiple	no
With locknut	no
Impact-resistant	no
WAF 1	57 mm
WAF 2	54 mm
Protection rating	IP65
Strain relief option	no