

Technical data sheet

Pipe end cap, splittable, metric, black

Item number: 2047952



Separable pipe end cap to slot onto metric electrical installation pipes. The separable pipe end cap can be used for repairs on existing installations according to regulations. It is not necessary to disconnect the cables, allowing quick mounting.



PE Polyethylene

Master data

| | |
|---------------------|----------------------------|
| Item number | 2047952 |
| Description 1 | Pipe end sleeve, separable |
| Description 2 | metric |
| Manufacturer | OBO |
| Dimension | M25 |
| Colour | Black |
| Material | Polyethylene |
| Smallest sales unit | 50 |
| Unit of quantity | Piece |
| Weight | 0.5 kg |
| Weight unit | kg/100 pc. |

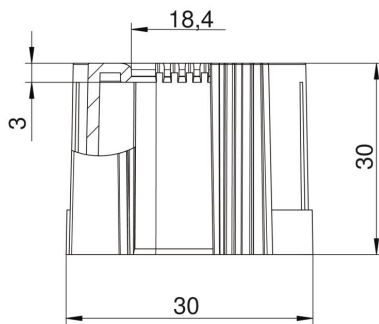
Technical data sheet

Pipe end cap, splittable, metric, black

Item number: 2047952



Dimensions



| | |
|--------------|---------|
| Dimension D1 | 30 mm |
| Dimension D2 | 18.4 mm |
| Dimension L1 | 30 mm |
| Dimension L2 | 3 mm |

Technical data

| | |
|----------------------------------|-----------|
| Version for for pipe diameter | Connector |
| Size | 25 mm |
| Halogen-free | M25 |
| Brushed surface | yes |
| Polished surface | no |