

Technical data sheet

Locknut, metric thread, black

Item number: 2049112



Locknut DIN 46319, with metric thread IEC 423.



PA Polyamide

Master data

| | |
|---------------------|------------|
| Item number | 2049112 |
| Description 1 | Locknut |
| Manufacturer | OBO |
| Dimension | M40 |
| Colour | Black |
| Material | Polyamide |
| Smallest sales unit | 25 |
| Unit of quantity | Piece |
| Weight | 0.602 kg |
| Weight unit | kg/100 pc. |

Technical data sheet

Locknut, metric thread, black

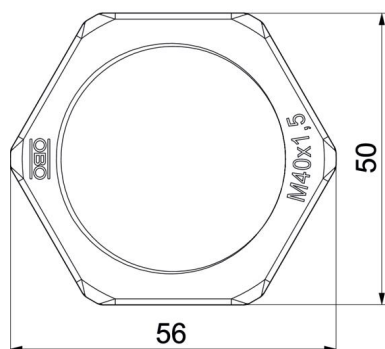
Item number: 2049112



Dimensions



| | |
|-------------|-------|
| Dimension E | 56 mm |
| Dimension L | 7 mm |



Technical data

| | |
|-------------------------------|-----------|
| Thread | M40_x_1,5 |
| Thread type | Metric |
| Nominal thread size metric/PG | 40 |
| Fibre-glass reinforced | no |
| Halogen-free | yes |
| Impact-resistant | no |
| WAF | 50 |