

# Technical data sheet

Locknut, metric thread, black

Item number: 2049082



Locknut DIN 46319, with metric thread IEC 423.



**PA** Polyamide

## Master data

Item number	2049082
Description 1	Locknut
Manufacturer	OBO
Dimension	M20
Colour	Black
Material	Polyamide
Smallest sales unit	100
Unit of quantity	Piece
Weight	0.17 kg
Weight unit	kg/100 pc.

# Technical data sheet

Locknut, metric thread, black

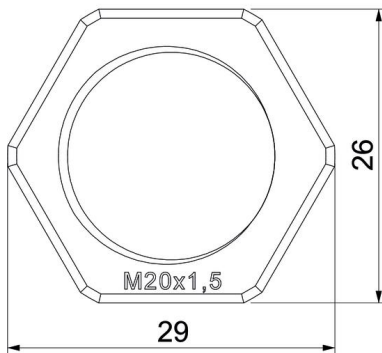
Item number: 2049082



## Dimensions



Dimension E	29 mm
Dimension L	6 mm



## Technical data

Thread	M20_x_1,5
Thread type	Metric
Nominal thread size metric/PG	20
Fibre-glass reinforced	no
Halogen-free	yes
Impact-resistant	no
WAF	26