

Technical data sheet

Pressure compensation element



Item number: 2034680



The pressure compensation element, type 109 M20 LGR compensates for pressure differences in junction boxes, small distributors and connection sockets with an M20 opening and avoids the formation of condensation water in sealed housings. The polyamide pressure compensation element has an IP68/IP69 protection rating. This remains intact, even after the installation of the pressure compensation element. The pressure compensation element is suitable for use in industrial environments and in exterior areas.

The pressure compensation element is easy to mount, requires little maintenance and is a simple option for avoiding condensation water formation in housings.

The pressure compensation element is surrounded by an ePTFE membrane, which is permeable in both directions to air. The air throughput at a pressure difference of 70 mbar is 110 L/h. At the same time, moisture cannot enter the housing from outside.

The pressure compensation element has been tested according to the VDE standard "VDE 0100-520".



Master data

Item number	2034680
Description 1	Pressure balance plug
Manufacturer	OBO
Dimension	M20x1,5
Colour	Light grey; RAL 7035
Smallest sales unit	1
Unit of quantity	Piece
Weight	0.538 kg
Weight unit	kg/100 pc.
CO Footprint (GWP) Cradle-to-Gate	0,0287 kg COe / 1 Piece

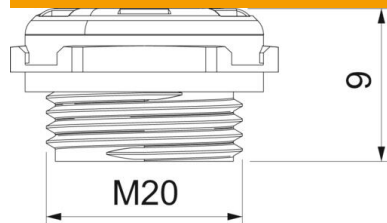
Technical data sheet

Pressure compensation element

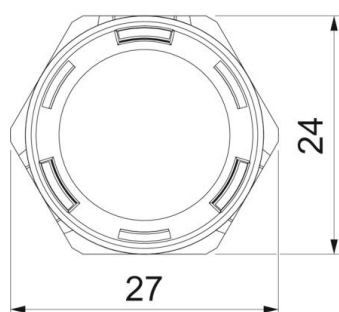
Item number: 2034680



Dimensions



Height	15.4 mm
Dimension E	27 mm
Dimension L	9 mm



Technical data

explosion-proof	no
Thread	M20 x 1,5
Thread type	Metric
Nominal thread size metric/PG	20
Thread increase	1.5 mm
Fibre-glass reinforced	yes
Air permeation at 70 mbar	110
Impact-resistant	yes
WAF	24
Protection rating	IP68
Permitted temperature range, max.	100 °C
Permitted temperature range, min.	-40 °C