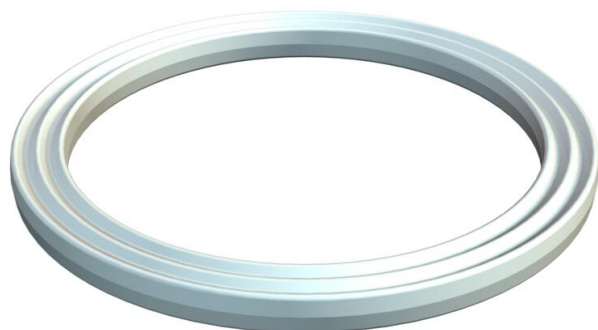


Technical data sheet

Connection thread sealing ring, PG

Item number: 2030136



Connection thread sealing ring, in accordance with Part 9 to DIN 46320, however, dimensions may, according to material or function, deviate, suitable for all plastic cable glands with PG connection thread to DIN EN 40430, the internal diameter of the sealing rings are designed so that they can be captively pre-mounted.

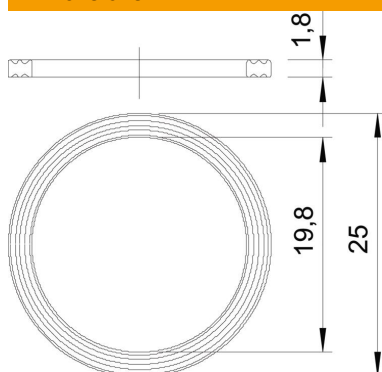


PE Polyethylene

Master data

| | |
|---------------------|--------------------------------|
| Item number | 2030136 |
| Description 1 | Connection thread sealing ring |
| Manufacturer | OBO |
| Dimension | PG13,5 |
| Material | Polyethylene |
| Smallest sales unit | 100 |
| Unit of quantity | Piece |
| Weight | 0.03 kg |
| Weight unit | kg/100 pc. |

Dimensions



| | |
|--------------|---------|
| Dimension D1 | 25 mm |
| Dimension D2 | 19.8 mm |
| Dimension t | 1.8 mm |

Technical data

| | |
|-------------------------------|-------------------|
| Version for | Flat sealing ring |
| Screw for PG thread dimension | 13.5 |
| Halogen-free | yes |
| Inner diameter | 19.8 mm |