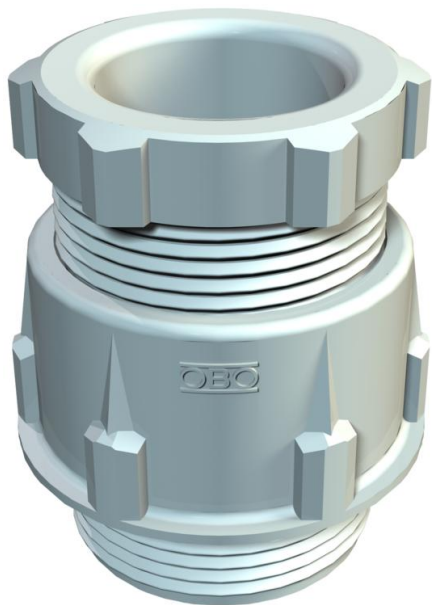


Technical data sheet

Cone cable gland, PG thread, light grey

Item number: 2036061



Standard cable gland, shape A, to DIN 46320 with simple NR/SBR sealing ring.
PG connection thread in accordance with DIN 40430.

Protection rating: with connection thread sealing ring IP65, without connection thread sealing ring IP54.

Note: Only tighten polystyrene cable glands lightly due to the risk of stress crack formation.

Shock-resistant



PS Polystyrene

Master data

Item number	2036061
Description 1	Cable gland
Manufacturer	OBO
Dimension	PG7
Colour	Light grey; RAL 7035
Material	Polystyrene
Smallest sales unit	50
Unit of quantity	Piece
Weight	0.325 kg
Weight unit	kg/100 pc.

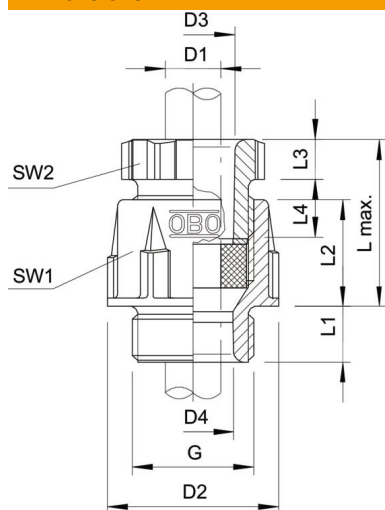
Technical data sheet

Cone cable gland, PG thread, light grey

Item number: 2036061



Dimensions



Length	16.5 mm
Width	16.5 mm
Height	30 mm
Dimension D1	6 mm
Dimension D2	16.5 mm
Dimension D3	8 mm
Dimension D4	7.5 mm
Dimension G	Pg7 mm
Dimension L max.	23 mm
Dimension L1	7.75 mm
Dimension L2	13 mm
Dimension L3	5 mm
Dimension L4	8.5 mm

Technical data

Type of seal	Sealing ring
Version for	Straight
Bend protection	no
Sealing area D, max.	6.5 mm
Sealing area D, min.	3.5 mm
explosion-proof	no
For Ex zone	Without
For Ex zone gas	Without
For Ex zone dust	Without
Thread	Pg 7
Thread type	PG
Thread length	8 mm
Nominal thread size	7
Fibre-glass reinforced	no
Halogen-free	yes
Sealing insert, multiple	no
With locknut	no
Impact-resistant	no
WAF 1	15 mm
WAF 2	13 mm
Protection rating	IP65
Splittable gland	no
Strain relief option	no