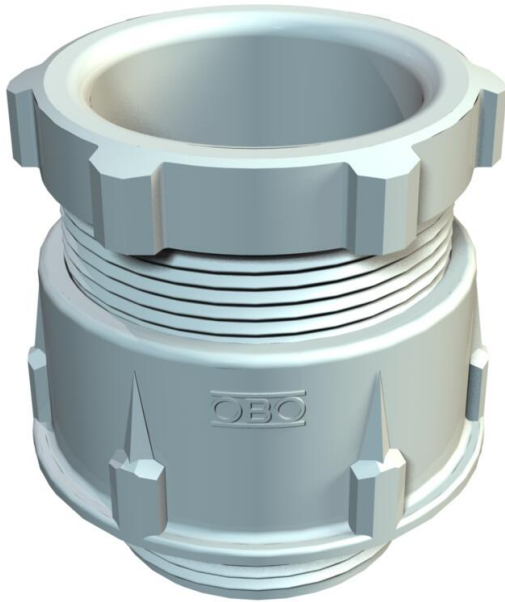


Technical data sheet

Cone cable gland, metric thread, light grey

Item number: 2035324



Standard cable gland, shape A, to DIN 46320 with simple NR/SBR sealing ring with metric connection thread to IEC 423.

Protection rating: with connection thread sealing ring IP65, without connection thread sealing ring IP54.

Note: Only tighten polystyrene cable glands lightly due to the risk of stress crack formation.
Shock-resistant



PS Polystyrene

Master data

Item number	2035324
Description 1	Cable gland
Manufacturer	OBO
Dimension	M16
Colour	Light grey; RAL 7035
Material	Polystyrene
Smallest sales unit	50
Unit of quantity	Piece
Weight	0.56 kg
Weight unit	kg/100 pc.

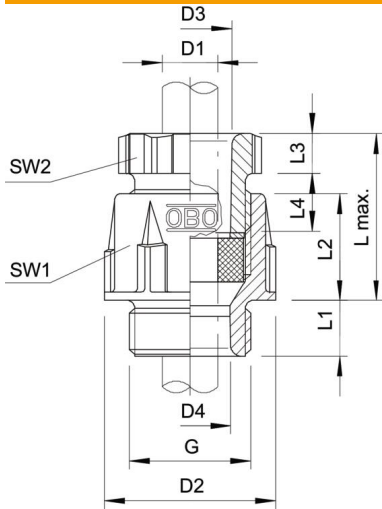
Technical data sheet

Cone cable gland, metric thread, light grey



Item number: 2035324

Dimensions



Length	21.5 mm
Width	21.5 mm
Height	30 mm
Dimension D1	7 mm
Dimension D2	21.5 mm
Dimension D3	10.2 mm
Dimension D4	10 mm
Dimension G	M16x1,5 mm
Dimension L max.	25 mm
Dimension L1	8 mm
Dimension L2	14 mm
Dimension L3	5 mm
Dimension L4	9 mm

Technical data

Type of seal	Sealing ring
Version for	Straight
Bend protection	no
Sealing area D, max.	7 mm
Sealing area D, min.	4.5 mm
explosion-proof	no
For Ex zone	Without
For Ex zone gas	Without
For Ex zone dust	Without
Thread	M16 x 1,5
Thread type	Metric
Thread length	8 mm
Nominal thread size	16
Fibre-glass reinforced	no
Halogen-free	yes
Sealing insert, multiple	no
With locknut	no
Impact-resistant	yes
WAF 1	19 mm
WAF 2	16 mm
Protection rating	IP65
Splittable gland	no
Strain relief option	no