

# Technical data sheet

## Tensioning wire clip A4

Item number: 1404184



Tensioning wire clip for cable 4–9 mm 14–18 mm. With V4A bolt M4x14.



CE

**A4** Stainless steel

**2B** Bright, treated

### Master data

Item number	1404184
Description 1	Tensioning wire clip
Description 2	for cable 4-9 mm
Manufacturer	OBO
Dimension	14-18mm
Material	Stainless steel
Surface	Bright, treated
Surface standard	
Smallest sales unit	50
Unit of quantity	Piece
Weight	1.65 kg
Weight unit	kg/100 pc.
CO Footprint (GWP) Cradle-to-Gate	0,094 kg COe / 1 Piece

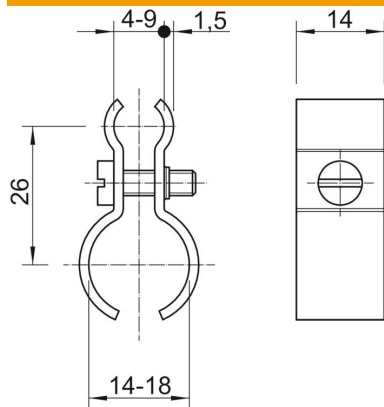
# Technical data sheet

## Tensioning wire clip A4

Item number: 1404184



### Dimensions



Dimension A | 26 mm

### Technical data

Number of cables/pipes	1
Version for for cable diameter, max.	Not insulated 9 mm
Bolt	M4x14