

Technical data sheet

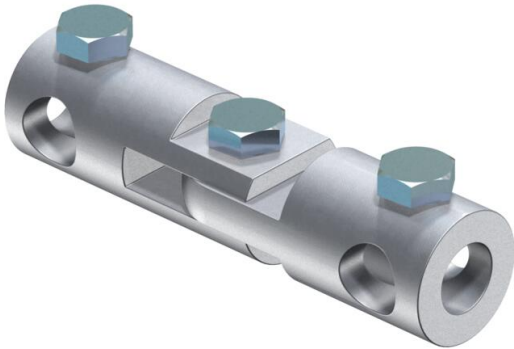
Articulated connector

Item number: 5408630



101/IW-M10: Wall connection

- With M8 internal thread
- To mount insulating rod on structures or walls
- With M10 x 12 bolts



Alu Aluminium

Master data

Item number	5408630
Description 1	Adjustable connector
Description 2	for 16 mm GFK rods
Manufacturer	OBO
Dimension	16mm
Material	Aluminium
Smallest sales unit	10
Unit of quantity	Piece
Weight	32 kg
Weight unit	kg/100 pc.

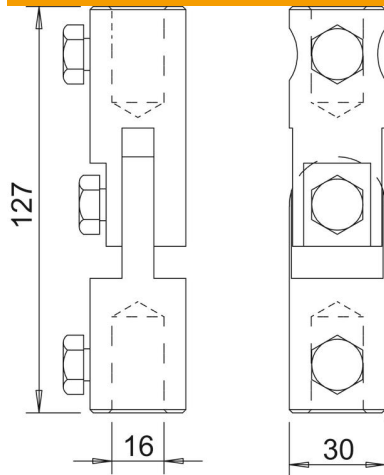
Technical data sheet

Articulated connector

Item number: 5408630



Dimensions



Length	127 mm
Dimension d min.	30 mm
Dimension d Ø	16 mm
Dimension L	127 mm

Technical data

Connection	Round conductor
------------	-----------------