

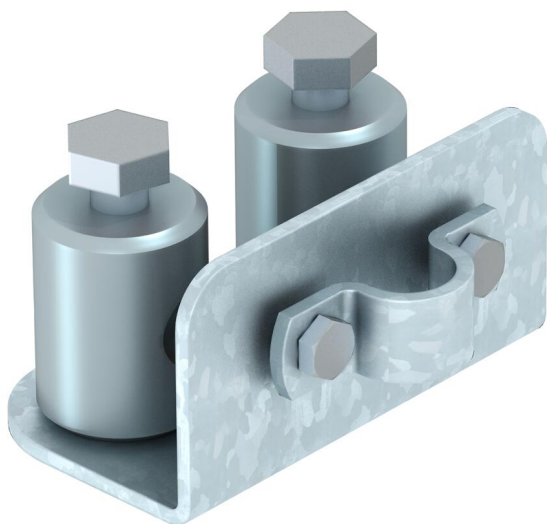
Technical data sheet

Holder, V support

Item number: 5408990



- Rod holder to accept two GRP rods
- Bracket and crossbar for 16 and 20 mm rods and Rd 8-10 mm



A2 Stainless steel

Master data

Item number	5408990
Description 1	Iso-Combi
Description 2	holder, V support
Manufacturer	OBO
Dimension	150x100x65
Material	Stainless steel
Smallest sales unit	1
Unit of quantity	Piece
Weight	50.7 kg
Weight unit	kg/100 pc.

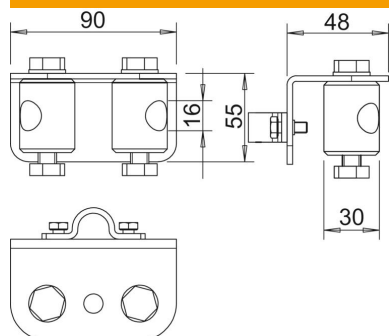
Technical data sheet

Holder, V support

Item number: 5408990



Dimensions



Dimension B	48 mm
Dimension d min.	30 mm
Dimension d Ø	16 mm
Dimension H	55 mm
Dimension L	90 mm