

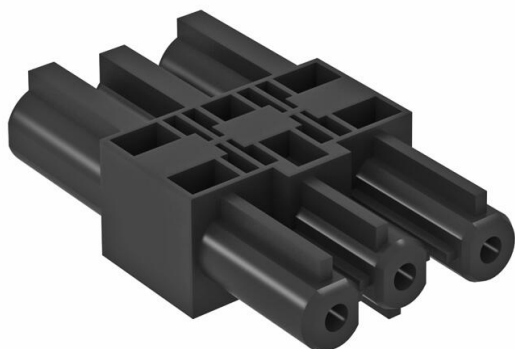
Technical data sheet

Connection adapter, GST18i, straight

Item number: 6108045



Connection adapter GST18i for combining STD-D0C / STD-D3C or STD-F0C / STD-F3C sockets together with straight connection adapters, pluggable connection with integrated strain relief. Suitable for device connections in the device installation trunking systems Rapid 45 and Rapid 80 and in ISS service poles.



PA Polyamide

Master data

Item number	6108045
Type	VB-G GST18i3p
Description 1	Connection adapter
Description 2	1 input / 1 outputs
Manufacturer	OBO
Colour	Black
Material	Polyamide
Smallest sales unit	10
Unit of quantity	Piece
Weight	1.76 kg
Weight unit	kg/100 pc.

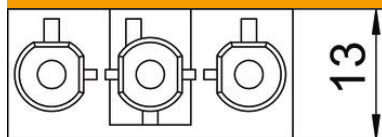
Technical data sheet

Connection adapter, GST18i, straight

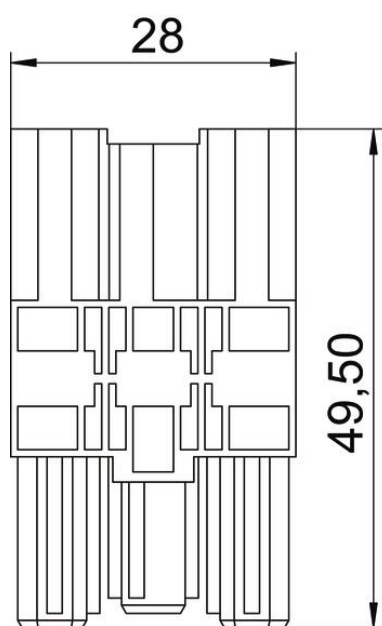
Item number: 6108045



Dimensions



Length	49.5 mm
Width	28 mm
Height	13 mm



Technical data

Number of outputs	1
Number of inputs	1
Type of locking	Integrated in plug connector
Type of distributor	Adapter coupling
Colour of the coding/contact insert	Black
Colour of the separate adapter	Black
Halogen-free	yes
Contact material	CuZn
Mechanical encoding	yes
Nominal voltage	250 V
Nominal current	16 A
Surface treatment of the contacts	Tin-plated
Pin labelling	L, N, PE
Pole number	3
Protection rating	IP20