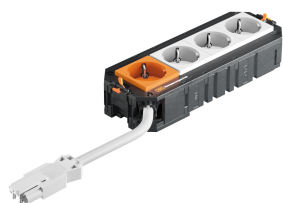


Technical data sheet

UTC4 with 3+1 protective contact sockets, 1 socket with surge protection

Item number: 7404686



Ready-for-connection universal support UTC4 with halogen-free connection cable. It possesses three pre-installed 33° protective contact sockets in white and one 33° protective contact socket in pure orange of 16 A. The protective contact socket in pure orange is protected by a type 3 surge protection module according to DIN EN 61643-11. Suitable for VL connection cables and device installation units of nominal size R7, R9 and 9.



Master data

Item number	7404686
Description 1	Universal support ConnectGST18
Description 2	VDE,trip.white,sing.orange,SPD
Manufacturer	OBO
Dimension	208x76x45
Smallest sales unit	1
Unit of quantity	Piece
Weight	33.53 kg
Weight unit	kg/100 pc.

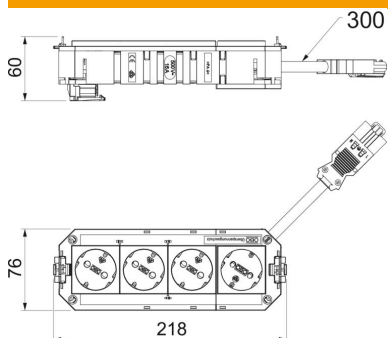
Technical data sheet

UTC4 with 3+1 protective contact sockets, 1 socket with surge protection

Item number: 7404686



Dimensions



Length	218 mm
Width	76 mm
Height	60 mm

Technical data

Number of connections	2
Number of installable devices	4
Version for	Triple pure white/single pure orange
Cable length	300 mm
Line cross-section	2.5 mm ²
Socket combination	Miscellaneous
Plug-in system	GST18
Plug connector system, system-specific	yes
Circuit	2
System length	208 mm
Surge protection	yes