

Technical data sheet

Screed box for GES R2

Item number: 7428526



Height-adjustable screed box for the installation of the installation socket of the GES R2 floor socket.
With 2x2 insertion openings for installation pipes (M20/M25).



St Steel

FS Strip galvanized

Master data

Item number	7428526
Description 1	Screed box
Description 2	for GES R2
Manufacturer	OBO
Material	Steel
Surface	Strip galvanized
Surface standard	DIN EN 10346
Smallest sales unit	1
Unit of quantity	Piece
Weight	218 kg
Weight unit	kg/100 pc.

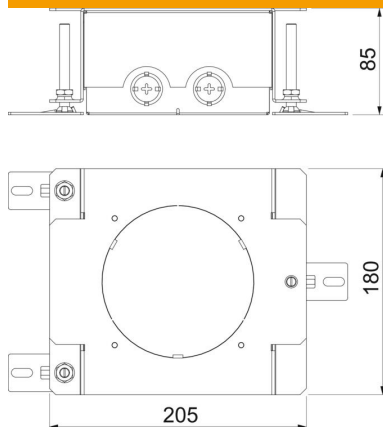
Technical data sheet

Screed box for GES R2

Item number: 7428526



Dimensions



Technical data

Expansion option	For installation of accessories
Version for	Round
Floor plate	yes
Seal installation option	no
Installation opening for flush-mount unit	Round
Decouplable	no
Screed height, max.	130 mm
Screed height, min.	85 mm
For pipe connection	yes
Suitable for raised floor installation	no
Suitable for screed-flush closed underfloor ducts	no
Suitable for screed-covered underfloor ducts	no
Suitable for cavity floor installation	no
Suitable for underfloor ducts	no
Minimum screed height	85
Height-adjustment range, max.	130 mm
Height-adjustment range, min.	85 mm