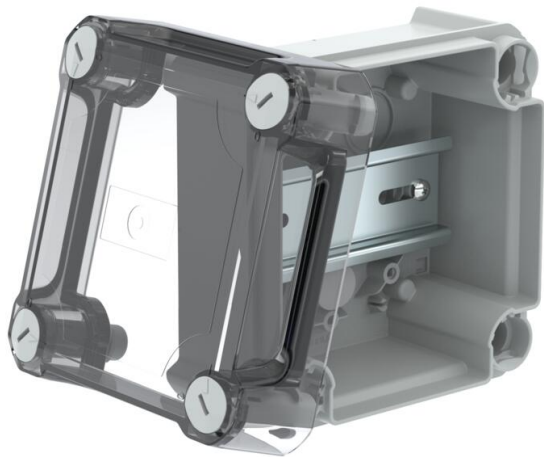


# Technical data sheet

## Junction box T60, closed, transparent elevated cover

Item number: 2007770



Closed junction box for the connection of cables and lines indoors and in protected outdoor areas. Square design without entries. Suitable for wall and ceiling mounting and on mounting panels. With the option to fasten inside and to mount via the corner domes. High, transparent cover with quick lock, sealable. Made from halogen-free and UV-resistant materials.

With hat profile rail.

Junction box according to DIN EN 60670. Flame-resistant to DIN EN 60695/2/11, test temperature 650 °C. Impact resistance IK07 according to DIN EN 50102. Clear internal dimensions: 100x100x63 mm



**PP/PC** Polypropylene / polycarbonate

### Master data

Item number	2007770
Description 1	Junction box, closed
Description 2	with high transparent cover
Manufacturer	OBO
Dimension	114x114x76
Colour	Light grey; RAL 7035
Material	Polypropylene / polycarbonate
Smallest sales unit	1
Unit of quantity	Piece
Weight	16.6 kg
Weight unit	kg/100 pc.
CO Footprint (GWP) Cradle-to-Gate	1,0375 kg COe / 1 Piece

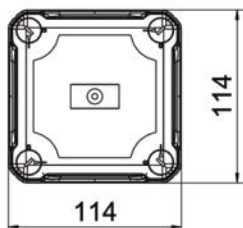
# Technical data sheet

## Junction box T60, closed, transparent elevated cover



Item number: 2007770

### Dimensions



Length	114 mm
Width	114 mm
Height	74 mm

### Technical data

Expandable	yes
Type of insertion...	None
Type of entry	Cable
Type of housing penetration	Without
Measured insulation voltage $V_i$	500 V
Equipment	Without
Cover	Not transparent
Cover fastening	Screwed
Entry from rear	yes
Entries	None
Explosion-tested version	no
Flame-resistant	acc. to VDE 0471/DIN 695 Part 2-1, test temperature 650°C
Shape	Square
Maintain electrical functions	Without
For Ex zone	Without
For Ex zone gas	Without
For Ex zone dust	Without
Fibre-glass reinforced	no
Halogen-free	yes
Clear internal dimensions	100x100x63 mm
With screening	no
with lid	yes
Mounting type	Wall/ceiling mounting
Nominal voltage	500 V
Sealable	yes
Protection rating	IP66
Protection rating IK code	IK07.
Permitted temperature range, max.	60 °C
Permitted temperature range, min.	-5 °C
Weatherproof	no