

Technical data sheet

End piece SL ESre2050

Item number: 6132277



End piece (right) as a fitting for the skirting trunking.
For a clean end to the trunking system. For attaching to the trunking ends.



PVC Polyvinylchloride

Master data

Item number	6132277
Type	SL ESre2050 rws
Description 1	End piece right
Description 2	SL 20x50 9010
Manufacturer	OBO
Colour	Pure white; RAL 9010
Material	Polyvinylchloride
Smallest sales unit	10
Unit of quantity	Piece
Weight	0.5 kg
Weight unit	kg/100 pc.

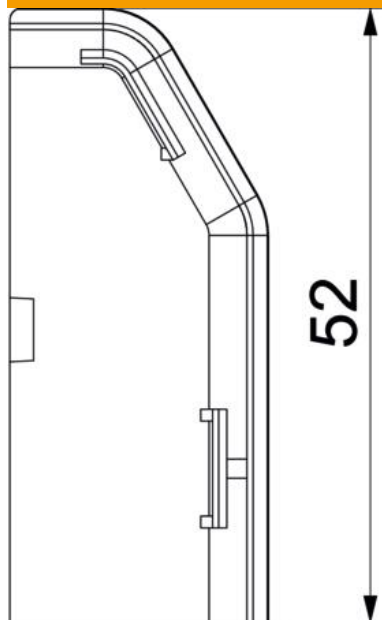
Technical data sheet

End piece SL ESre2050

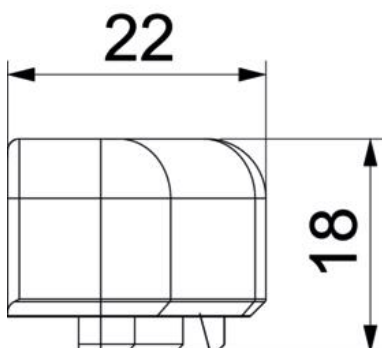
Item number: 6132277



Dimensions



Length	22 mm
Width	18 mm
Height	52 mm



Technical data

Version for	Right
Decoration	Without
Cover sealing lip	Without
Halogen-free	no
With carpet strip	no
Protection rating	IP40
Protection rating IK code	IK06
Permitted temperature range, max.	60 °C
Permitted temperature range, min.	-5 °C

Technical data sheet

End piece SL ESre2050

Item number: 6132277



Technical data

Pre-markings	no
--------------	----