

Technical data sheet

Support clamp, multifunctional

Item number: 1488568



Multifunctional support clamp for mounting cables, protection pipes and cable sections. Fastening through knocking onto steel girders.



CE

St Steel

ZL Zinc slat

Master data

Item number	1488568
Type	SK MULTI 14-20
Description 1	Beam clamp
Description 2	multifunctional
Manufacturer	OBO
Dimension	14-20mm
Material	Steel
Surface	Zinc slat
Surface standard	
Smallest sales unit	50
Unit of quantity	Piece
Weight	1.69 kg
Weight unit	kg/100 pc.

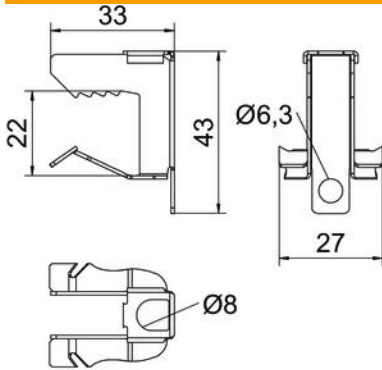
Technical data sheet

Support clamp, multifunctional

Item number: 1488568



Dimensions



Length	33 mm
Width	27 mm
Height	43 mm
Dimension H	43 mm
Dimension L	33 mm
Maß W	27 mm

Technical data

Connection type/component	Miscellaneous
Fastening type	Clamp
Flange thickness F max.	20 mm
Flange thickness F min.	14 mm
Hinge, adjustable	no
Hinged	no