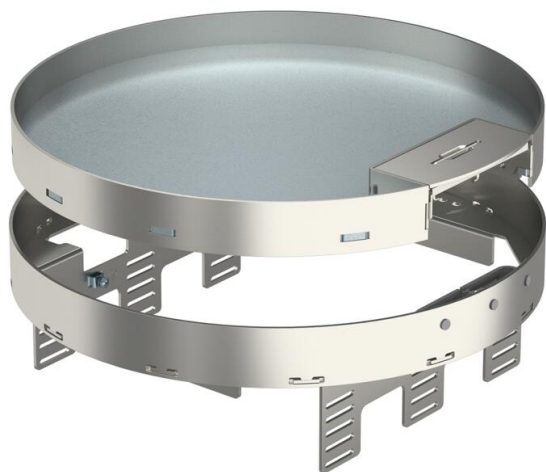


Technical data sheet

Height-adjustable cassette with cord outlet, RKSRNUZD3, stainless steel

Item number: 7409310



Height-adjustable cassette, decoupled from the floor, of nominal size R9, with cord outlet, for the installation of accessories in dry-cleaned floors for indoor use, for mounting in underfloor boxes UZD350-3, either in conjunction with a mounting lid DUG350-3R9 or UGD350-3R9. Mounting takes place using height adjustment brackets (order separately) in the aluminium frame profile of the underfloor boxes.

Height-adjustable cassette for cord outlet, 3-compartment. 3 APMT5 cover plates can be installed. For the installation of 3 UT4 universal supports for 9 individual installation devices with support ring/support clamp or 12 Modul 45 devices.



A2 Stainless steel

Master data

Item number	7409310
Type	RKSRN2UZD3R9VS25
Description 1	Round cassette
Description 2	with cord outlet
Manufacturer	OBO
Dimension	Ø305mm
Material	Stainless steel
Smallest sales unit	1
Unit of quantity	Piece
Weight	368 kg
Weight unit	kg/100 pc.

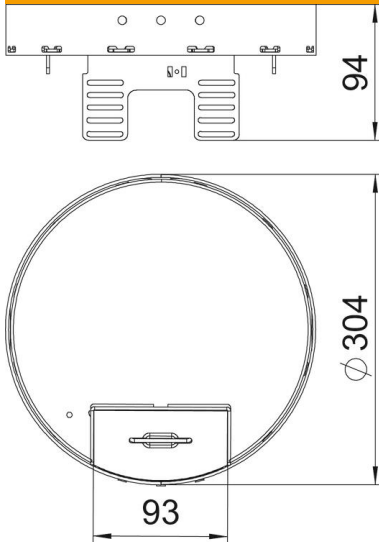
Technical data sheet

Height-adjustable cassette with cord outlet, RKSRNUZD3,
stainless steel

Item number: 7409310



Dimensions



Length	304 mm
Width	304 mm
Height	94 mm

Technical data

Number of installable devices	12
Number of mounting boxes	3
Number of cable outlets	1
Version for	Round
Cable outlet version	Swivellable cord outlet
Floor care	Dry
Decouplable	yes
Floor height, min.	94 mm
Suitable for raised floor installation	no
Suitable for cavity floor installation	no
Suitable for underfloor box	350
Device support to accept mounting boxes	yes
Nominal size for device installation units	R9
Protection rating (IP) when used	IP20
Protection rating (IP) when unused	IP40
Protection rating IK code	IK10
Heavy-duty version	no
Installation system type	UT4
Vertical load, large area	to 3,000 N
Vertical load, small area	to 2,500 N
Approvals	VDE
Floor covering thickness	25 mm