

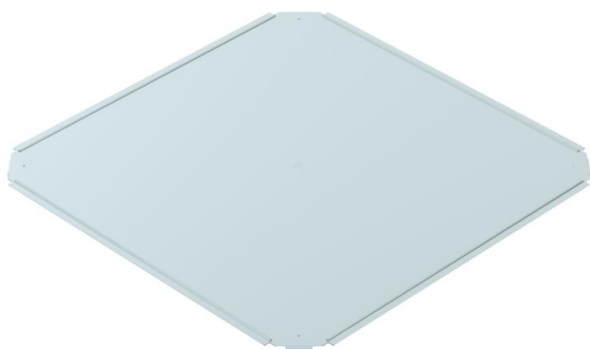
Technical data sheet

Cover, cross-over FS

Item number: 7027810



Cover for cross-over fitting for lockable and screw-on cable trays in indoor areas, to protect cables against damage and soiling. Fastening through attachment of the section cover. Suitable for all side heights.
The cover can be used with fittings of all side heights.



St Steel

FS Strip galvanized

Master data

Item number	7027810
Type	RKD 600 FS
Description 1	Cover
Description 2	for cross-over
Manufacturer	OBO
Dimension	B600mm
Material	Steel
Surface	Strip galvanized
Surface standard	DIN EN 10346
Smallest sales unit	1
Unit of quantity	Piece
Weight	400 kg
Weight unit	kg/100 pc.

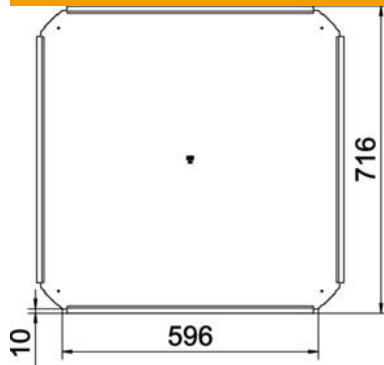
Technical data sheet

Cover, cross-over FS

Item number: 7027810



Dimensions



Width	600 mm
Plate thickness	1 mm
Dimension B	600 mm

Technical data

Number of turn buckles	0 St.
Fastening type	On top
Suitable for cable ladder	no
Suitable for cable tray	yes
Rustproof steel, pickled	no
Permitted temperature range, max.	120 °C
Permitted temperature range, min.	-20 °C