

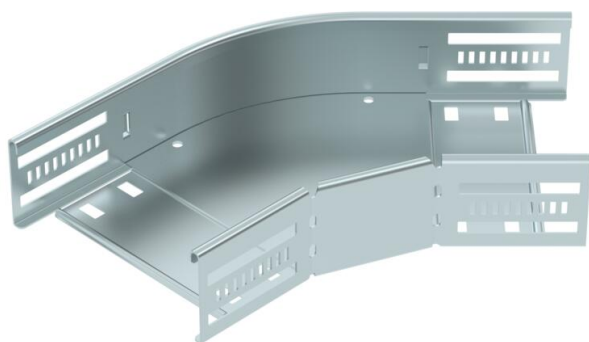
Technical data sheet

45° bend 60 FS

Item number: 6036102



45° bend for the creation of a horizontal branch, fitting for lock and screw-on cable trays of side height 60 mm. Screwless mounting with double clamps or screw connection with FRS truss-head screws and M6 combination nuts. Can be used in indoor areas. Fastening material must be ordered separately.



St Steel

FS Strip galvanized

Master data

| | |
|---------------------|----------------------------|
| Item number | 6036102 |
| Type | RB 45 615 FS |
| Description 1 | 45° bend |
| Description 2 | for cable tray, horizontal |
| Manufacturer | OBO |
| Dimension | 60x150 |
| Material | Steel |
| Surface | Strip galvanized |
| Surface standard | DIN EN 10346 |
| Smallest sales unit | 1 |
| Unit of quantity | Piece |
| Weight | 60.9 kg |
| Weight unit | kg/100 pc. |

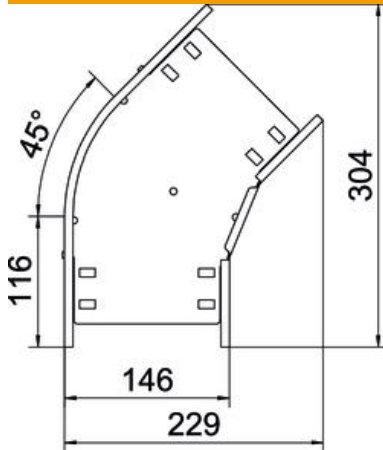
Technical data sheet

45° bend 60 FS

Item number: 6036102



Dimensions



| | |
|-----------------|--------|
| Width | 150 mm |
| Height | 60 mm |
| Plate thickness | 0.8 mm |
| Dimension B | 150 mm |

Technical data

| | |
|---|----------------------|
| Bend (angle) | 45° |
| Connector version | Integrated connector |
| Type | Bend, rigid |
| Maintain electrical functions | yes |
| Material thickness, floor plate | 0.8 mm |
| With cover | no |
| Mounting perforation in base | yes |
| NATO hole pattern | no |
| Change of direction | Horizontal |
| Rustproof steel, pickled | no |
| Side perforation | yes |
| Permitted temperature range, max. | 120 °C |
| Permitted temperature range, min. | -20 °C |
| Wide-span version | no |
| Type of connector, cable support system | screwed/clamped |
| Recommended quantity of bolts | 10 St. |
| Rail thickness | 1.25 mm |