

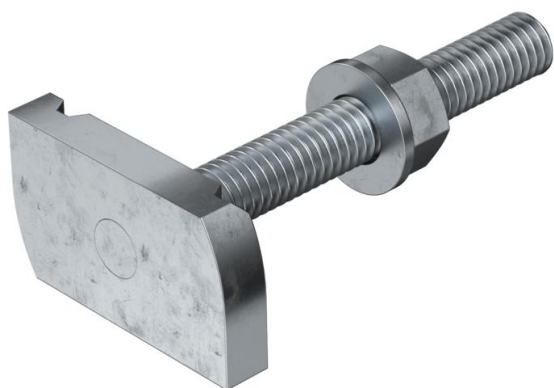
Technical data sheet

Hammer-head bolt ZL

Item number: 1148314



Hammer-head bolt for use with MS4121 and MS4141 profile rails



St Steel

ZL Zinc slat

Master data

Item number	1148314
Type	MS41HB M8x60 ZL
Description 1	Hammerhead screw
Description 2	for profile rail MS4121/4141
Manufacturer	OBO
Dimension	M8x60mm
Material	Steel
Surface	Zinc slat
Surface standard	
Smallest sales unit	25
Unit of quantity	Piece
Weight	6 kg
Weight unit	kg/100 pc.

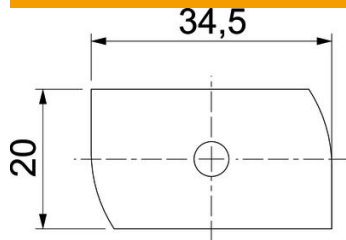
Technical data sheet

Hammer-head bolt ZL

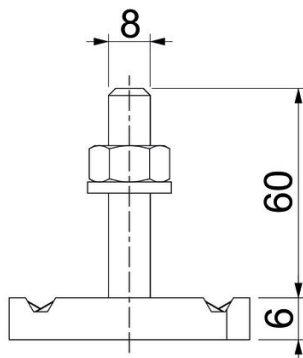
Item number: 1148314



Dimensions



Length	34.5 mm
Width	20 mm
Height	6 mm
Dimension H	6 mm
Dimension L	60 mm



Technical data

Torque	8 Nm
Suitable for mounting rail	yes
Thread	M 8 x 60
Washer Ø	16 mm