

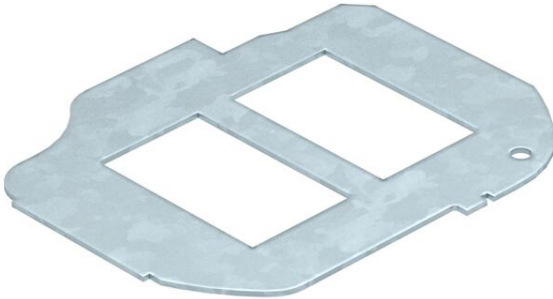
# Technical data sheet

## Wall bracket / mounting plate

Item number: 7407621



For the installation of two data modules of the type LJU6C in service outlet GESRM2. Dimension of the assembly opening in mm: 36.2 x 22.

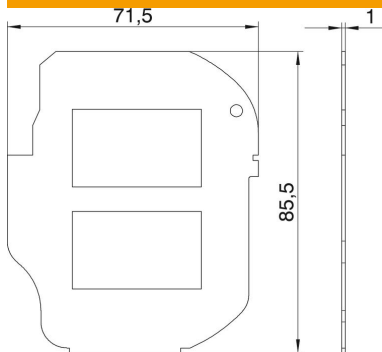


St	Steel
FS	Strip galvanized

### Master data

Item number	7407621
Type	MPR2 2LJU6C
Description 1	Mounting plate
Description 2	for GESRM2
Manufacturer	OBO
Colour	Jet black; RAL 9005
Material	Steel
Surface	Strip galvanized
Surface standard	DIN EN 10346
Smallest sales unit	1
Unit of quantity	Piece
Weight	2.85 kg
Weight unit	kg/100 pc.

### Dimensions



Length	64.4 mm
Width	29.6 mm

# Technical data sheet

## Wall bracket / mounting plate

Item number: 7407621



### Technical data

Number of installable devices	2
Version for	Support shape
Fastening type	Lockable
Labelling panel	no
Floor covering protection frame	no
Floor plate	no
Lowerable to be flush-floor	no
Seal installation option	no
Installation opening for on-floor tank	no
Decouplable	no
Suitable for raised floor installation	yes
Suitable for screed-flush closed underfloor ducts	yes
Suitable for screed-covered underfloor ducts	yes
Suitable for cavity floor installation	yes
Suitable for wet care	yes
Suitable for underfloor ducts	yes
With floor covering recess	no
Heavy-duty version	no
Depth	1.5 mm
Strain relief option	yes